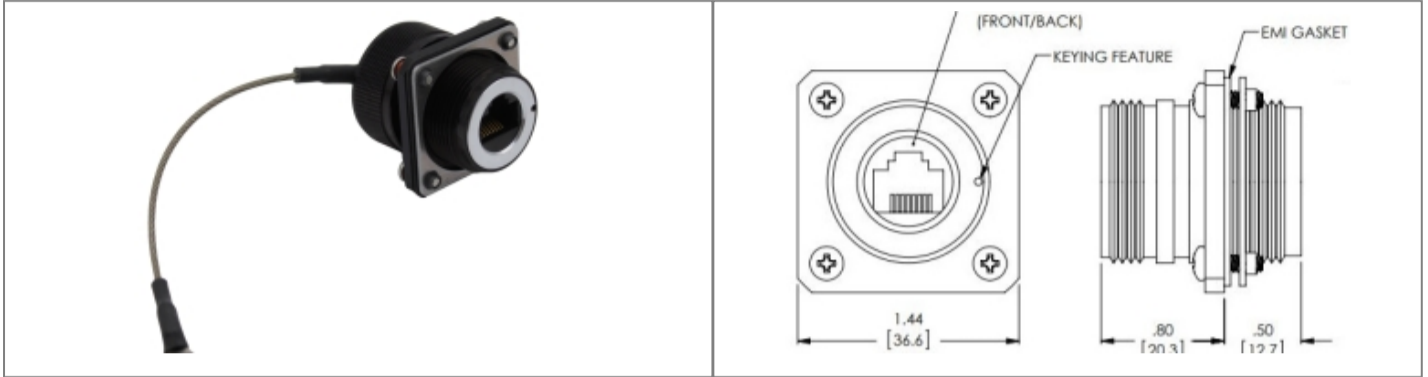


# PXM06276FENBKSH Datasheet

**Product Name // Black Electroless Nickel Aluminium  
Flange Mount Connector with Cap and Mounting Hardware -  
EMI Shielded - Cat6a Female**

[View Product Page](#)



## // Product Description:

- ⬢ Black Electroless Nickel Aluminium Flange Mount Connector with Cap and Mounting Hardware - EMI Shielded - Cat6a Female
- ⬢ IP68 rated when mated
- ⬢ Crimp Terminals
- ⬢ Durability >500 cycles
- ⬢ Operating temperature -40°C to +100°C
- ⬢ Supports 10, 100 and 1,000 Mbps data transmissions
- ⬢ POE, POE+, and POE++
- ⬢ Hardware: Stainless Steel, Seals: Silicone, Lanyard: Stainless Steel (Nylon coated & 6" length)

## // General Information:

<b>Product Display Title:</b>	Black Electroless Nickel Aluminium Flange Mount Connector with Cap and Mounting Hardware - EMI Shielded - Cat6a Female
<b>Product Family:</b>	Circular Data Connectors
<b>Product Series:</b>	600 Series - Ethernet Buccaneer Connectors
<b>Body Colour:</b>	Black
<b>Body Length:</b>	33mm
<b>Body Material:</b>	Aluminium
<b>Body Material Type:</b>	Metal Body
<b>Connection Method:</b>	Latching
<b>Contact Type:</b>	Female
<b>Coupling Type:</b>	Screw
<b>Diameter Over Coupling Ring Mm:</b>	35mm
<b>Durability:</b>	>500 cycles
<b>Ethernet Category:</b>	Cat 6a
<b>Flange Mount Length:</b>	36.6mm
<b>Function:</b>	Flange Mount Connector
<b>Ip Rating:</b>	IP68
<b>Material Finish:</b>	Electroless Nickel
<b>Min Operating Temperature:</b>	-40°C
<b>Max Panel Thickness:</b>	5mm
<b>Min Panel Thickness:</b>	1.5mm
<b>Mount Hole Distance:</b>	27mm
<b>Operating Humidity:</b>	43°C - 98%
<b>Max Operating Frequency:</b>	+100°C
<b>Rohs Compliant:</b>	Yes
<b>Salt Spray Corrosion Test:</b>	500hr
<b>Shock Resistance:</b>	100G - 6ms

### // Product PDF Links

[Standard Series USB connectors...](#)

### // Product 3D CAD Model Links

[PXM06276FENBKSH3D CAD Model](#)