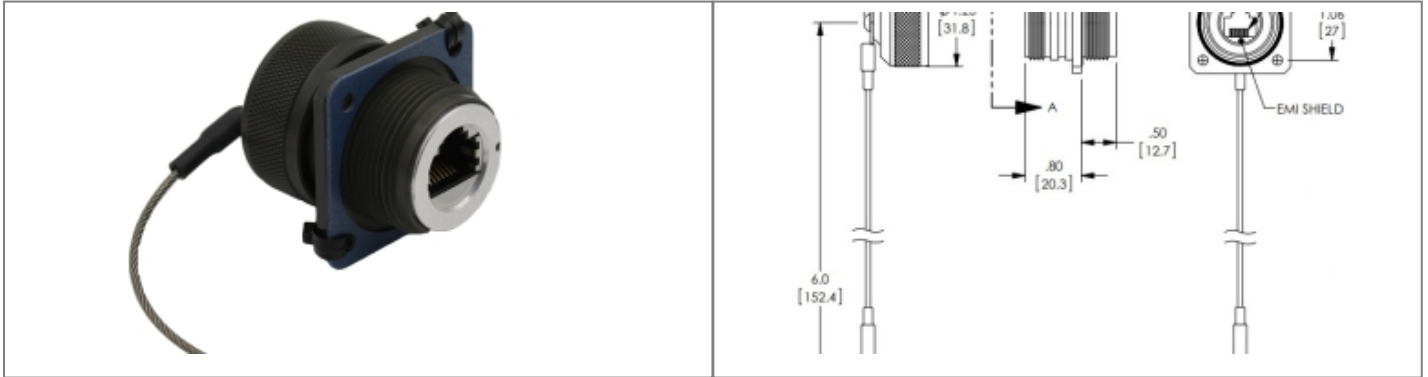


PXM06285FANBKUS Datasheet

Product Name // Black Anodised Transversely Sealed Aluminium Flange Mount Connector - Unshielded - Cat5e Female

[View Product Page](#)


// Product Description:

- ⊗ Black Anodised Transversely Sealed Aluminium Flange Mount Connector - Unshielded - Cat5e Female
- ⊗ IP68 rated even without a mate or dust Cap
- ⊗ Crimp Terminals
- ⊗ Durability >500 cycles
- ⊗ Operating temperature -40°C to +100°C
- ⊗ Supports 10, 100 and 1,000 Mbps data transmissions
- ⊗ POE, POE+, and POE++
- ⊗ Hardware: Stainless Steel, Seals: Silicone, Lanyard: Stainless Steel (Nylon coated)

// General Information:

Product Display Title:	Black Anodised Transversely Sealed Aluminium Flange Mount Connector - Unshielded - Cat5e Female
Product Family:	Circular Data Connectors
Product Series:	600 Series - Ethernet Buccaneer Connectors
Body Colour:	Black
Body Length:	33mm
Body Material:	Aluminium
Body Material Type:	Metal Body
Connection Method:	Latching
Contact Type:	Female
Coupling Type:	Screw
Diameter Over Coupling Ring Mm:	35mm
Durability:	>500 cycles
Ethernet Category:	Cat 5e
Flange Mount Length:	36.6mm
Function:	Flange Mount Connector
Ip Rating:	IP68
Material Finish:	Anodised
Min Operating Temperature:	-40°C
Mount Hole Distance:	27mm
Operating Humidity:	43°C - 98%
Max Operating Frequency:	+100°C
Rohs Compliant:	Yes
Salt Spray Corrosion Test:	500hr
Shock Resistance:	100G - 6ms

// Product PDF Links

[Standard Series USB connectors...](#)

// Product 3D CAD Model Links

[PXM06285FANBKUS3D CAD Model](#)