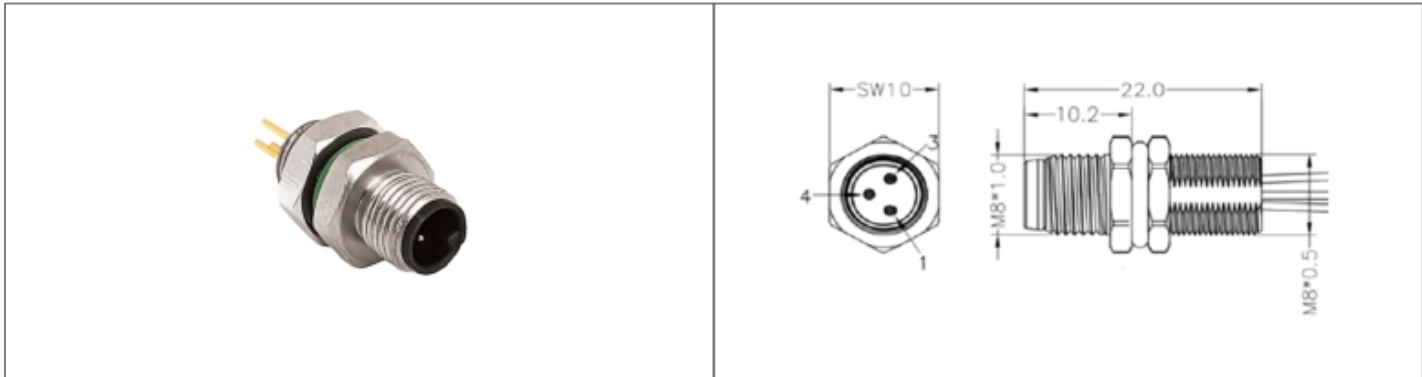


Product Name // M8 Series A Code Brass Nickel Plated Front Panel Mount Connector 4 Contact Pins 300 MM Flying Leads

[View Product Page](#)



// Product Description:

- ⊕ M8 Series Front Panel Mount Connectors
- ⊕ Water and dustproof to IP67 when mated with compatible connector
- ⊕ Pin or Socket
- ⊕ 3, 4, 5 Contact (3, 4 Contact are A Code, 5 Contact are B Code)
- ⊕ Flying Lead Termination with choice of lead lengths, depending on part code
- ⊕ Mate with M8 Series Inline Body and Flex Body Connectors, depending on part code

// General Information:

Product Display Title:	M8 Series Front Panel Mount Connectors
Product Family:	Circular Automation Connectors
Product Series:	M8 Series
Approvals:	CSA, ENEC, UL, VDE, RCM
Body Material:	Brass - Nickel Plated
Cable Length:	300mm
Contact Type:	Plug Contact
Coupling Type:	Screw
Current Max:	3A
Diameter Over Coupling Ring Mm:	12.5mm
Function:	Front Panel Mount Connector
Ip Rating:	IP67
Max Operating Temperature:	+80°C
Min Operating Temperature:	-25°C
Number Of Contacts:	4 Contacts
Panel Cut Out:	Ø8mm
Pin Layout Code:	A Code
Thread Size:	M8 x 1
Voltage Max:	60V

// Product PDF Links

[M8 Series automation connectors...](#)

// Product 3D CAD Model Links

[PXMBNI08FPM04AFL0033D CAD Model](#)