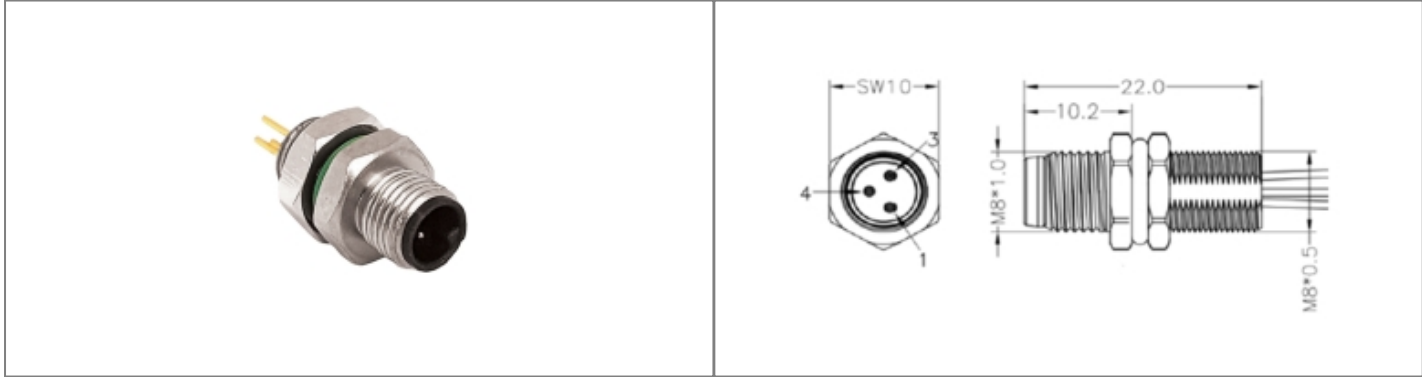


PXMBNI08FPM05BFL001 Datasheet

Product Name // M8 Series B Code Brass Nickel Plated Front Panel Mount Connector 5 Contact Pins 100 MM Flying Leads

[View Product Page](#)



// Product Description:

- ⊕ M8 Series Front Panel Mount Connectors
- ⊕ Water and dustproof to IP67 when mated with compatible connector
- ⊕ Pin or Socket
- ⊕ 3, 4, 5 Contact (3, 4 Contact are A Code, 5 Contact are B Code)
- ⊕ Flying Lead Termination with choice of lead lengths, depending on part code
- ⊕ Mate with M8 Series Inline Body and Flex Body Connectors, depending on part code

// General Information:

| | |
|---------------------------------|--|
| Product Display Title: | M8 Series Front Panel Mount Connectors |
| Product Family: | Circular Automation Connectors |
| Product Series: | M8 Series |
| Approvals: | CSA, UL, RCM |
| Body Material: | Brass - Nickel Plated |
| Cable Length: | 100mm |
| Contact Type: | Plug Contact |
| Coupling Type: | Screw |
| Current Max: | 3A |
| Diameter Over Coupling Ring Mm: | 12.5mm |
| Function: | Front Panel Mount Connector |
| Ip Rating: | IP67 |
| Max Operating Temperature: | +80°C |
| Min Operating Temperature: | -25°C |
| Number Of Contacts: | 5 Contacts |
| Panel Cut Out: | Ø8mm |
| Pin Layout Code: | B Code |
| Thread Size: | M8 x 1 |
| Voltage Max: | 60V |

// Product PDF Links

[M8 Series automation connectors...](#)

// Product 3D CAD Model Links

[PXMBNI08FPM05BFL0013D CAD Model](#)