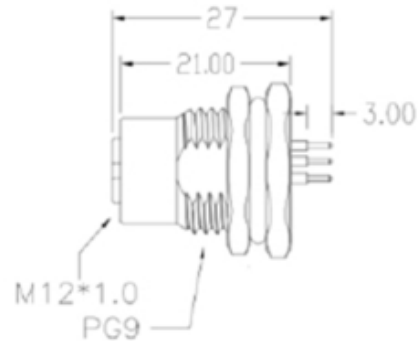


**Product Name // M12 Series A Code Brass Nickel Plated
M16 Rear Panel Mount Connector 4 Contact Socket PCB
Termination**

[View Product Page](#)


// Product Description:

- ⊕ M12 Series Rear Panel Mount Connectors
- ⊕ Water and dustproof to IP67 when mated with compatible connector
- ⊕ Pin or Socket
- ⊕ 3, 4, 5, 8, 12 Contact (3, 8, 12 Contact are A Code, 4 Contact are choice of A Code or D Code, 5 Contact are choice of A Code or B Code)
- ⊕ PCB Terminals
- ⊕ Choice of mounting nut sizes, depending on part code
- ⊕ Choice of Sealing Caps available separately to maintain IP rating of unmated connectors
- ⊕ Mate with M12 Series Inline Body and Flex Body Connectors, depending on part code

// General Information:

| | |
|---------------------------------|--|
| Product Display Title: | M12 Series Rear Panel Mount Connectors |
| Product Family: | Circular Automation Connectors |
| Product Series: | M12 Series |
| Approvals: | CSA, UL |
| Body Material: | Brass - Nickel Plated |
| Contact Type: | Socket Contact |
| Coupling Type: | Screw |
| Current Max: | 4A |
| Diameter Over Coupling Ring Mm: | 20mm |
| Function: | Rear Panel Mount Connector |
| Ip Rating: | IP67 |
| M12 Series Mounting Nut: | M16 |
| Max Operating Temperature: | +80°C |
| Min Operating Temperature: | -25°C |
| Number Of Contacts: | 4 Contacts |
| Pin Layout Code: | A Code |
| Thread Size: | M12 x 1 |
| Voltage Max: | 250V |

// Product PDF Links

[M12 Series automation connectors...](#)

// Product 3D CAD Model Links

[PXMBNI12RPF04APCM163D CAD Model](#)