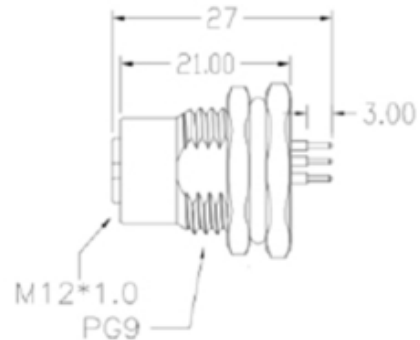


**Product Name // M12 Series B Code Brass Nickel Plated
M16 Rear Panel Mount Connector 5 Contact Socket PCB
Termination**

[View Product Page](#)


// Product Description:

- ⊗ M12 Series Rear Panel Mount Connectors
- ⊗ Water and dustproof to IP67 when mated with compatible connector
- ⊗ Pin or Socket
- ⊗ 3, 4, 5, 8, 12 Contact (3, 8, 12 Contact are A Code, 4 Contact are choice of A Code or D Code, 5 Contact are choice of A Code or B Code)
- ⊗ PCB Terminals
- ⊗ Choice of mounting nut sizes, depending on part code
- ⊗ Choice of Sealing Caps available separately to maintain IP rating of unmated connectors
- ⊗ Mate with M12 Series Inline Body and Flex Body Connectors, depending on part code

// General Information:

Product Display Title:	M12 Series Rear Panel Mount Connectors
Product Family:	Circular Automation Connectors
Product Series:	M12 Series
Approvals:	CSA, ENEC, VDE
Body Material:	Brass - Nickel Plated
Contact Type:	Socket Contact
Coupling Type:	Screw
Current Max:	4A
Diameter Over Coupling Ring Mm:	20mm
Function:	Rear Panel Mount Connector
Ip Rating:	IP67
M12 Series Mounting Nut:	M16
Max Operating Temperature:	+80°C
Min Operating Temperature:	-25°C
Number Of Contacts:	5 Contacts
Pin Layout Code:	B Code
Thread Size:	M12 x 1
Voltage Max:	60V

// Product PDF Links

[M12 Series automation connectors...](#)

// Product 3D CAD Model Links

[PXMBNI12RPF05BPCM163D CAD Model](#)


Have a question or project enquiry
you'd like to talk to us about?



[Click Here To Contact Us](#)