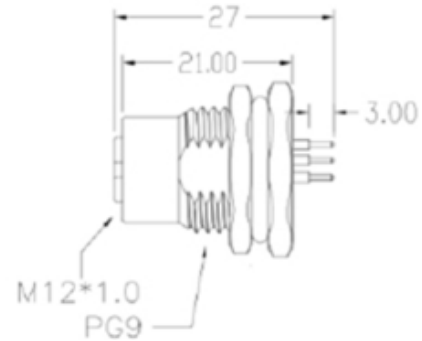


Product Name // PXMBNI12RPF05LFLM16001
[View Product Page](#)

// Product Description:

- ⊕ Material=Metal
- ⊕ Pins=4
- ⊕ Max Rating=60Vac
- ⊕ Ingress Protection=IP67
- ⊕ Operating Temperature= -25°C to +85°C
- ⊕ Contact Resistance=5?
- ⊕ Insulation Resistance=>100M?
- ⊕ Mechanical Cycles=100 (min)

// General Information:

Product Display Title:	M12 Front and Rear Panel Mount Flying Lead
Product Family:	Circular Automation Connectors
Product Series:	M12 Series
Body Material:	Brass - Nickel Plated
Contact Type:	Socket Contact
Number Of Contacts:	5 Contacts

// Product PDF Links
[M12 Series automation connectors...](#)
// Product 3D CAD Model Links
[PXMBNI12RPF05LFLM160013D CAD Model](#)