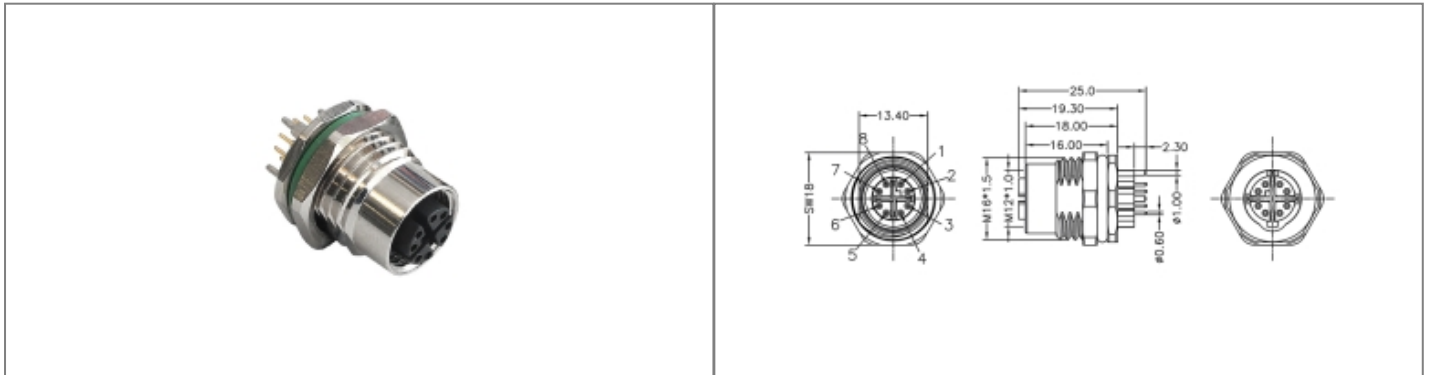


**Product Name // M12 Series X Code Brass Nickel Plated
M16 Rear Panel Mount Connector 8 Contact socket PCB
Termination**

[View Product Page](#)


// Product Description:

- ⊕ M12 Series Rear Panel Mount Connectors
- ⊕ Water and dustproof to IP67 when mated with compatible connector
- ⊕ Pin or Socket
- ⊕ 3, 4, 5, 8, 12 Contact (3,12 Contact are A Code, 4 Contact are choice of A Code or D Code, 5 Contact are choice of A Code or B Code, 8 Contact are choice of A Code or X Code)
- ⊕ PCB Terminals
- ⊕ Choice of mounting nut sizes, depending on part code
- ⊕ Choice of Sealing Caps available separately to maintain IP rating of unmated connectors
- ⊕ Mate with M12 Series Inline Body and Flex Body Connectors, depending on part code

// General Information:

Product Display Title:	M12 Series Rear Panel Mount Connectors
Product Family:	Circular Automation Connectors
Product Series:	M12 X Coding Series
Body Material:	Brass - Nickel Plated
Contact Type:	Socket Contact
Coupling Type:	M12
Current Max:	0.5A
Function:	Rear Panel Mount Connector
Ip Rating:	IP67
M12 Series Mounting Nut:	M16
Max Operating Temperature:	+85°C
Min Operating Temperature:	-25°C
Number Of Contacts:	8 Contacts
Voltage Max:	48V

// Product PDF Links

[M12 Series automation connectors...](#)

// Product 3D CAD Model Links

[PXMBN12RPF08XPCM163D CAD Model](#)


Have a question or project enquiry
you'd like to talk to us about?

[Click Here To Contact Us](#)