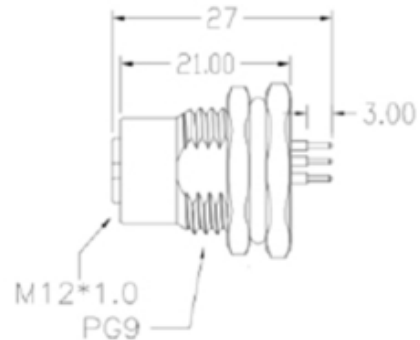


**Product Name // M12 Series A Code Brass Nickel Plated  
M16 Rear Panel Mount Connector 12 Contact Socket PCB  
Termination**

[View Product Page](#)


### // Product Description:

- ⊗ M12 Series Rear Panel Mount Connectors
- ⊗ Water and dustproof to IP67 when mated with compatible connector
- ⊗ Pin or Socket
- ⊗ 3, 4, 5, 8, 12 Contact (3, 8, 12 Contact are A Code, 4 Contact are choice of A Code or D Code, 5 Contact are choice of A Code or B Code)
- ⊗ PCB Terminals
- ⊗ Choice of mounting nut sizes, depending on part code
- ⊗ Choice of Sealing Caps available separately to maintain IP rating of unmated connectors
- ⊗ Mate with M12 Series Inline Body and Flex Body Connectors, depending on part code

### // General Information:

<b>Product Display Title:</b>	M12 Series Rear Panel Mount Connectors
<b>Product Family:</b>	Circular Automation Connectors
<b>Product Series:</b>	M12 Series
<b>Approvals:</b>	CSA, UL
<b>Body Material:</b>	Brass - Nickel Plated
<b>Contact Type:</b>	Socket Contact
<b>Coupling Type:</b>	Screw
<b>Current Max:</b>	1.5A
<b>Diameter Over Coupling Ring Mm:</b>	20mm
<b>Function:</b>	Rear Panel Mount Connector
<b>Ip Rating:</b>	IP67
<b>M12 Series Mounting Nut:</b>	M16
<b>Max Operating Temperature:</b>	+80°C
<b>Min Operating Temperature:</b>	-25°C
<b>Number Of Contacts:</b>	12 Contacts
<b>Pin Layout Code:</b>	A Code
<b>Thread Size:</b>	M12 x 1
<b>Voltage Max:</b>	30V

#### // Product PDF Links

[M12 Series automation connectors...](#)

#### // Product 3D CAD Model Links

[PXMBNI12RPF12APCM163D CAD Model](#)