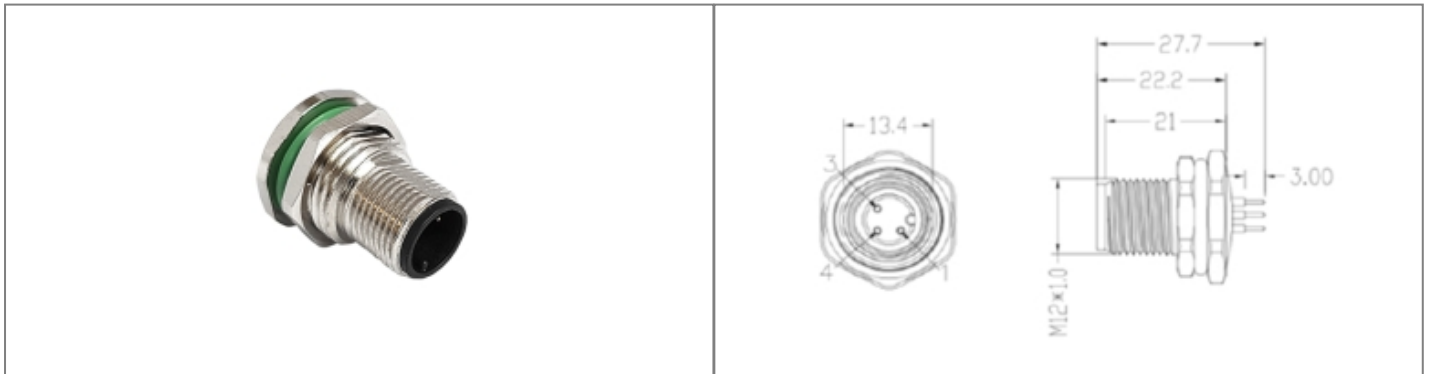


**Product Name // M12 Series B Code Brass Nickel Plated  
PG9 Rear Panel Mount Connector 5 Contact Pins PCB  
Termination**

[View Product Page](#)


### // Product Description:

- ⊞ M12 Series Rear Panel Mount Connectors
- ⊞ Water and dustproof to IP67 when mated with compatible connector
- ⊞ Pin or Socket
- ⊞ 3, 4, 5, 8, 12 Contact (3, 8, 12 Contact are A Code, 4 Contact are choice of A Code or D Code, 5 Contact are choice of A Code or B Code)
- ⊞ PCB Terminals
- ⊞ Choice of mounting nut sizes, depending on part code
- ⊞ Choice of Sealing Caps available separately to maintain IP rating of unmated connectors
- ⊞ Mate with M12 Series Inline Body and Flex Body Connectors, depending on part code

### // General Information:

Product Display Title:	M12 Series Rear Panel Mount Connectors
Product Family:	Circular Automation Connectors
Product Series:	M12 Series
Approvals:	CSA, UL
Body Material:	Brass - Nickel Plated
Contact Type:	Plug Contact
Coupling Type:	Screw
Current Max:	4A
Diameter Over Coupling Ring Mm:	20mm
Function:	Rear Panel Mount Connector
Ip Rating:	IP67
M12 Series Mounting Nut:	PG9
Max Operating Temperature:	+80°C
Min Operating Temperature:	-25°C
Number Of Contacts:	5 Contacts
Pin Layout Code:	B Code
Thread Size:	M12 x 1
Voltage Max:	60V

#### // Product PDF Links

[M12 Series automation connectors...](#)

#### // Product 3D CAD Model Links

[PXMBN12RPM05BPCPG93D CAD Model](#)


Have a question or project enquiry  
you'd like to talk to us about?



[Click Here To Contact Us](#)