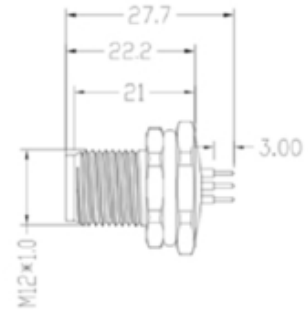
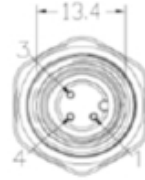


## Product Name // PXMBNI12RPM17AFLM12001

[View Product Page](#)


### // Product Description:

- ⊞ Material=Metal
- ⊞ Pins=4
- ⊞ Max Rating=30Vac
- ⊞ Ingress Protection=IP67
- ⊞ Operating Temperature= -25°C to +85°C
- ⊞ Contact Resistance=5?
- ⊞ Insulation Resistance=>100M?
- ⊞ Mechanical Cycles=100 (min)

### // General Information:

Product Display Title:	M12 Front and Rear Panel Mount Flying Lead
Product Family:	Circular Automation Connectors
Product Series:	M12 Series
Body Material:	Brass - Nickel Plated
Contact Type:	Socket Contact
Number Of Contacts:	17 Contacts

#### // Product PDF Links

[M12 Series automation connectors...](#)

#### // Product 3D CAD Model Links

[PXMBNI12RPM17AFLM120013D CAD Model](#)