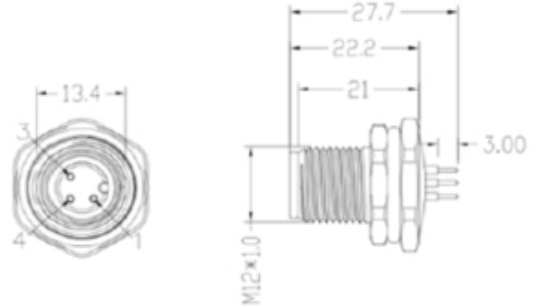


Product Name // PXMBNI12RPM17AFLPG9001

[View Product Page](#)


// Product Description:

- Material=Metal
- Pins=4
- Max Rating=30Vac
- Ingress Protection=IP67
- Operating Temperature= -25°C to +85°C
- Contact Resistance=5?
- Insulation Resistance=>100M?
- Mechanical Cycles=100 (min)

// General Information:

Product Display Title:	M12 Front and Rear Panel Mount Flying Lead
Product Family:	Circular Automation Connectors
Product Series:	M12 Series
Body Material:	Brass - Nickel Plated
Contact Type:	Socket Contact
Number Of Contacts:	17 Contacts

// Product PDF Links

[M12 Series automation connectors...](#)

// Product 3D CAD Model Links

[PXMBNI12RPM17AFLPG90013D CAD Model](#)