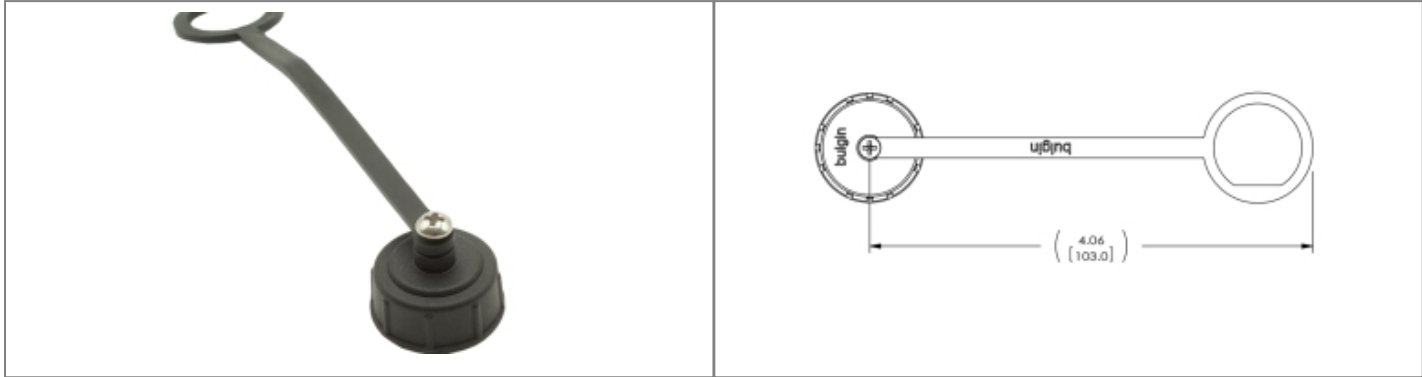


# PXP0026 Datasheet

## Product Name // Miniature Plastic Sealing Cap with Rubber Lanyard

[View Product Page](#)



### // Product Description:

- ⚙ IP67 Plastic Miniature Sealing Cap
- ⚙ IP67 when fitted
- ⚙ Rubber lanyard
- ⚙ Fits PXP0025

### // General Information:


Product Display Title:	Miniature Plastic Sealing Cap
Product Family:	Circular Data Connectors
Product Series:	20 Series USB
Body Colour:	Black
Body Material:	PC + ABS
Body Material Type:	Plastic Body
Coupling Type:	Screw
Flamability Rating:	UL94HB
Function:	Sealing Cap
Ip Rating:	IP67
Max Operating Temperature:	80°C
Min Operating Temperature:	-20°C
Rohs Compliant:	Yes
Thread Size:	5/8-27UN-2B

**// Product PDF Links**

[20 Series USB Waterproof product...](#)

**// Product 3D CAD Model Links**

[PXP00263D CAD Model](#)

 Have a question or project enquiry you'd like to talk to us about?

[Click Here To Contact Us](#)