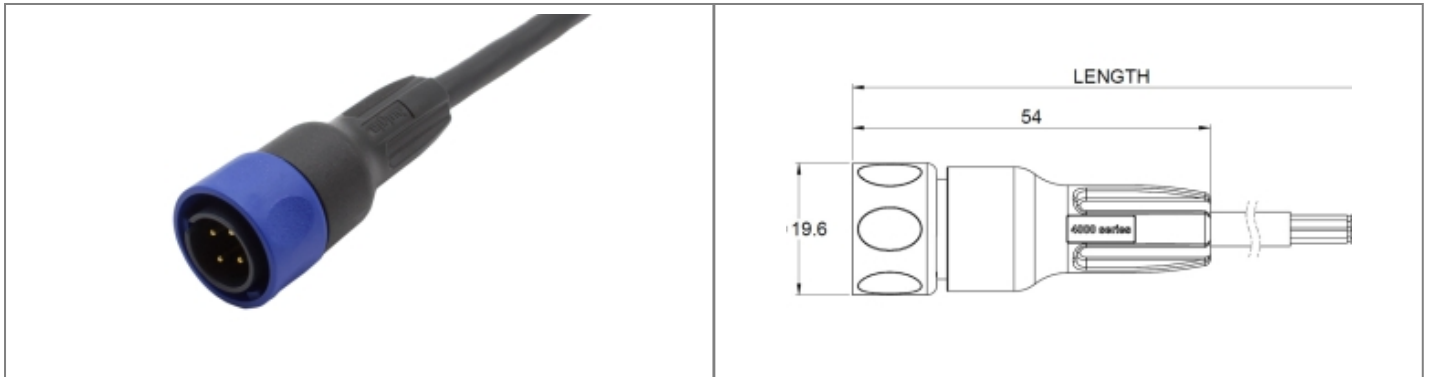


# PXP4000/002/04P Datasheet

## Product Name // Pre-wired Flex Cable Connector - 2m - 4 Contacts - Plug

[View Product Page](#)


### // Product Description:

- ⬢ Pre-Wired Flex Cable Connector
- ⬢ Water and dustproof to IP68 when mated with compatible connector
- ⬢ 4000 Series Buccaneer to blunt cut wire
- ⬢ 2m Cable Length
- ⬢ 4 Contacts - Plug
- ⬢ Sealing Cap available separately to maintain IP rating of unmated connectors
- ⬢ Mates with front and rear panel mounting connectors - and inline cable connectors

### // General Information:

|                                 |                                |
|---------------------------------|--------------------------------|
| Product Display Title:          | Pre-Wired Flex Cable Connector |
| Product Family:                 | Circular Power Connectors      |
| Product Series:                 | 4000 Series Buccaneer          |
| Approvals:                      | cUL, UL, VDE                   |
| Body Colour:                    | Black                          |
| Body Material:                  | Polyamide (PA)                 |
| Body Material Type:             | Plastic Body                   |
| Cable Length:                   | 2m                             |
| Contact Type:                   | Plug Contact                   |
| Coupling Type:                  | Bayonet Lock                   |
| Current Max:                    | 8A                             |
| Diameter Over Coupling Ring Mm: | 19.7mm                         |
| Flamability Rating:             | UL94V-0                        |
| Function:                       | Flex Cable Connector           |
| Ip Rating:                      | IP66, IP67, IP68               |
| Max Operating Temperature:      | +120°C                         |
| Min Operating Temperature:      | -30°C                          |
| Number Of Contacts:             | 4 Contacts                     |
| Rohs Compliant:                 | Yes                            |
| Voltage Max:                    | 300V                           |

#### // Product PDF Links

[4000 Series power connectors...](#)

#### // Product 3D CAD Model Links

[PXP4000/002/04P3D CAD Model](#)


Have a question or project enquiry  
you'd like to talk to us about?



[Click Here To Contact Us](#)