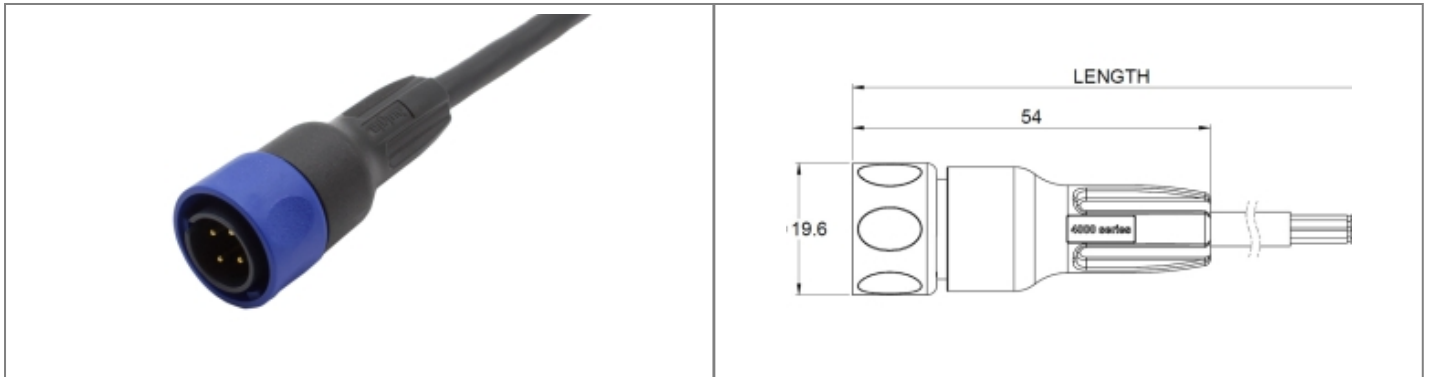


PXP4000/003/03P Datasheet

Product Name // Pre-wired Flex Cable Connector - 3m - 3 Contacts - Plug

[View Product Page](#)


// Product Description:

- ⬡ Pre-Wired Flex Cable Connector
- ⬡ Water and dustproof to IP68 when mated with compatible connector
- ⬡ 4000 Series Buccaneer to blunt cut wire
- ⬡ 3m Cable Length
- ⬡ 3 Contacts - Plug
- ⬡ Sealing Cap available separately to maintain IP rating of unmated connectors
- ⬡ Mates with front and rear panel mounting connectors - and inline cable connectors

// General Information:

| | |
|---------------------------------|--------------------------------|
| Product Display Title: | Pre-Wired Flex Cable Connector |
| Product Family: | Circular Power Connectors |
| Product Series: | 4000 Series Buccaneer |
| Approvals: | cUL, UL, VDE |
| Body Colour: | Black |
| Body Material: | Polyamide (PA) |
| Body Material Type: | Plastic Body |
| Cable Length: | 3m |
| Contact Type: | Plug Contact |
| Coupling Type: | Bayonet Lock |
| Current Max: | 13A |
| Diameter Over Coupling Ring Mm: | 19.7mm |
| Flamability Rating: | UL94V-0 |
| Function: | Flex Cable Connector |
| Ip Rating: | IP66, IP67, IP68 |
| Max Operating Temperature: | +120°C |
| Min Operating Temperature: | -30°C |
| Number Of Contacts: | 3 Contacts |
| Rohs Compliant: | Yes |
| Voltage Max: | 600V |

// Product PDF Links

[4000 Series power connectors...](#)

// Product 3D CAD Model Links

[PXP4000/003/03P3D CAD Model](#)