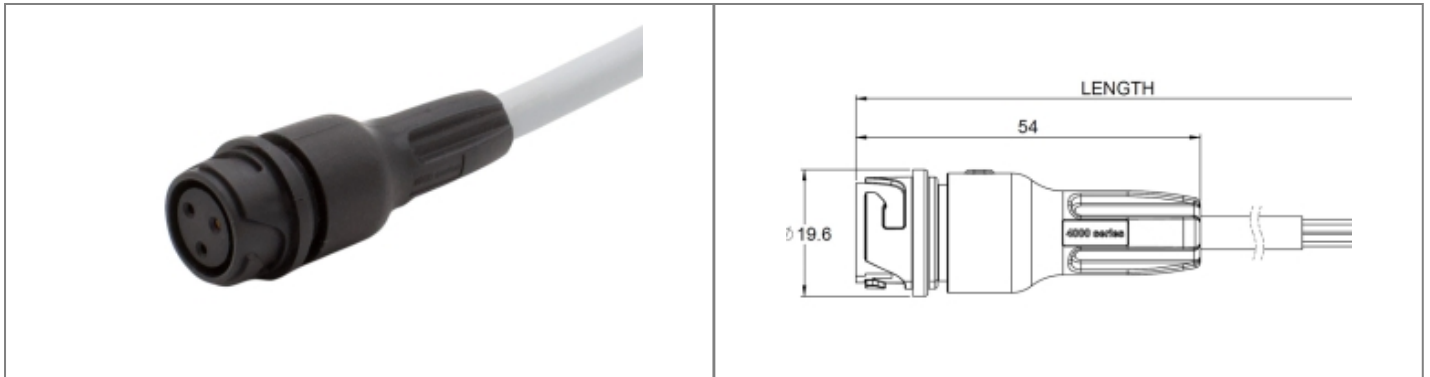


PXP4001/001/06S Datasheet

Product Name // Pre-wired Inline Cable Connector - 1m - 6 Contacts - Socket

[View Product Page](#)



// Product Description:

- ⊞ Pre-Wired Inline Cable Connector
- ⊞ Water and dustproof to IP68 when mated with compatible connector
- ⊞ 4000 Series Buccaneer to blunt cut wire
- ⊞ 1m Cable Length
- ⊞ 6 Contacts - Socket
- ⊞ Sealing Cap available separately to maintain IP rating of unmated connectors
- ⊞ Mates with flex cable connectors

// General Information:

Product Display Title:	Pre-wired Inline Cable Connector - 1m - 6 Contacts - Socket
Product Family:	Circular Power Connectors
Product Series:	4000 Series Buccaneer
Approvals:	cUL, UL, VDE
Body Colour:	Black
Body Material:	Polyamide (PA)
Body Material Type:	Plastic Body
Cable Length:	1m
Contact Type:	Socket Contact
Coupling Type:	Bayonet Lock
Current Max:	8A
Diameter Over Coupling Ring Mm:	19.7mm
Flamability Rating:	UL94V-0
Function:	Inline Cable Connector
Ip Rating:	IP66, IP67, IP68
Max Operating Temperature:	+120°C
Min Operating Temperature:	-30°C
Number Of Contacts:	6 Contacts
Rohs Compliant:	Yes
Voltage Max:	300V

// Product PDF Links

[4000 Series power connectors...](#)

// Product 3D CAD Model Links

[PXP4001/001/06S3D CAD Model](#)