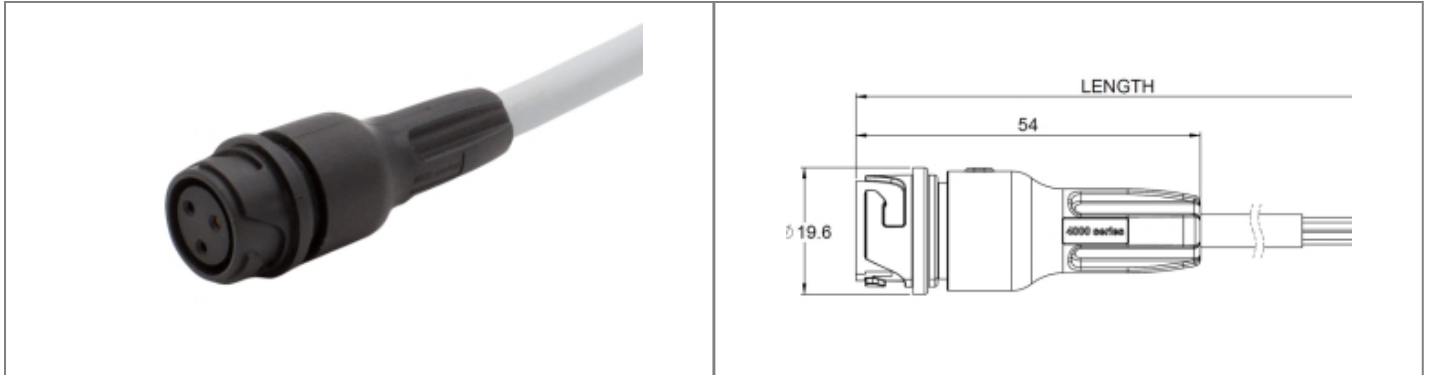




# PXP4001/010/10S Datasheet

**Product Name // Pre-wired Inline Cable Connector - 10m - 10 Contacts - Socket**

 [View Product Page](#)



## // Product Description:

-  Pre-Wired Inline Cable Connector
-  Water and dustproof to IP68 when mated with compatible connector
-  4000 Series Buccaneer to blunt cut wire
-  10m Cable Length
-  10 Contacts - Socket
-  Sealing Cap available separately to maintain IP rating of unmated connectors
-  Mates with flex cable connectors


## // General Information:

<b>Product Display Title:</b>	Pre-wired Inline Cable Connector - 10m - 10 Contacts - Socket
<b>Product Family:</b>	Circular Power Connectors
<b>Product Series:</b>	4000 Series Buccaneer
<b>Approvals:</b>	cUL, UL, VDE
<b>Body Colour:</b>	Black
<b>Body Material:</b>	Polyamide (PA)
<b>Body Material Type:</b>	Plastic Body
<b>Cable Length:</b>	10m
<b>Contact Type:</b>	Socket Contact
<b>Coupling Type:</b>	Bayonet Lock
<b>Current Max:</b>	3A
<b>Diameter Over Coupling Ring Mm:</b>	19.7mm
<b>Flamability Rating:</b>	UL94V-0
<b>Function:</b>	Inline Cable Connector
<b>Ip Rating:</b>	IP66, IP67, IP68
<b>Max Operating Temperature:</b>	+120°C
<b>Min Operating Temperature:</b>	-30°C
<b>Number Of Contacts:</b>	10 Contacts
<b>Rohs Compliant:</b>	Yes
<b>Voltage Max:</b>	160V

### // Product PDF Links

 [4000 Series power connectors...](#)

### // Product 3D CAD Model Links

 [PXP4001/010/10S3D CAD Model](#)