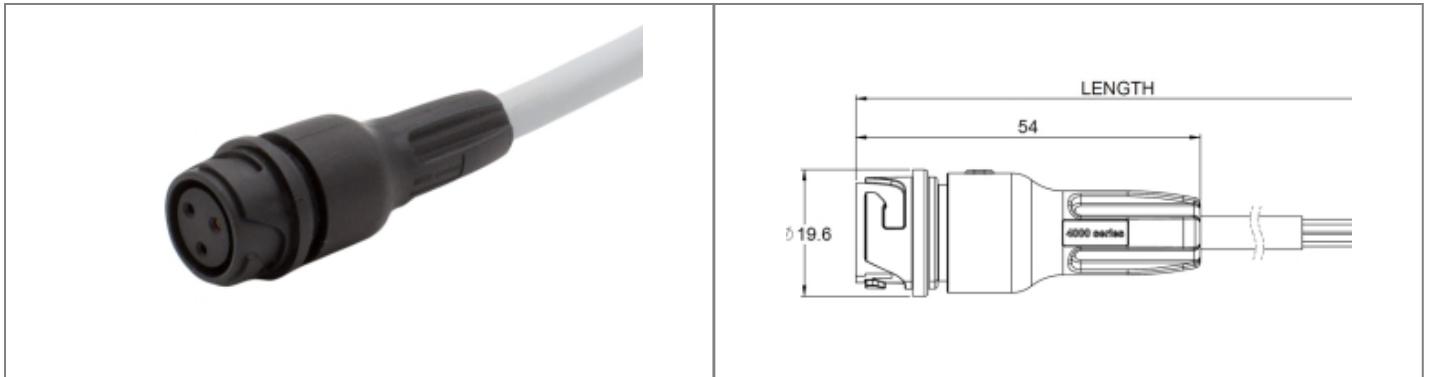


# PXP4001/010/12S Datasheet

**Product Name // Pre-wired Inline Cable Connector - 10m - 12 Contacts - Socket**

[View Product Page](#)



## // Product Description:

- ⊞ Pre-Wired Inline Cable Connector
- ⊞ Water and dustproof to IP68 when mated with compatible connector
- ⊞ 4000 Series Buccaneer to blunt cut wire
- ⊞ 10m Cable Length
- ⊞ 12 Contacts - Socket
- ⊞ Sealing Cap available separately to maintain IP rating of unmated connectors
- ⊞ Mates with flex cable connectors

## // General Information:

Product Display Title:	Pre-wired Inline Cable Connector - 10m - 12 Contacts - Socket
Product Family:	Circular Power Connectors
Product Series:	4000 Series Buccaneer
Approvals:	cUL, UL, VDE
Body Colour:	Black
Body Material:	Polyamide (PA)
Body Material Type:	Plastic Body
Cable Length:	10m
Contact Type:	Socket Contact
Coupling Type:	Bayonet Lock
Current Max:	3A
Diameter Over Coupling Ring Mm:	19.7mm
Flamability Rating:	UL94V-0
Function:	Inline Cable Connector
Ip Rating:	IP66, IP67, IP68
Max Operating Temperature:	+120°C
Min Operating Temperature:	-30°C
Number Of Contacts:	12 Contacts
Rohs Compliant:	Yes
Voltage Max:	160V

### // Product PDF Links

[4000 Series power connectors...](#)

### // Product 3D CAD Model Links

[PXP4001/010/12S3D CAD Model](#)