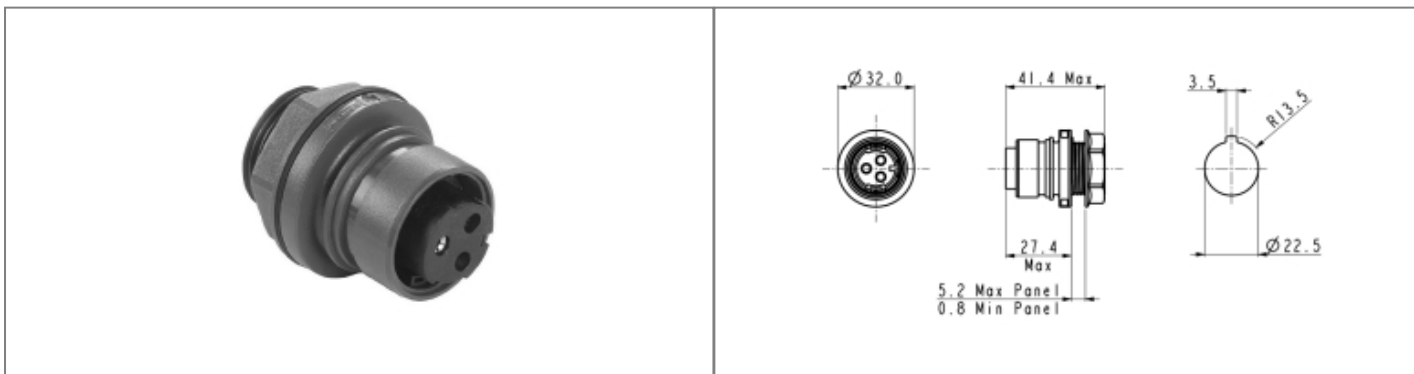


# PXP6012/16S/CR Datasheet

**Product Name // Front Panel Mount Connector PXP6012**  
**Series 16 Contact Socket Crimp/Solder Termination**  
**(contacts available separately) Plastic Body**

 [View Product Page](#)



## // Product Description:

- ⊞ Front Panel Mount Connectors
- ⊞ Water and dustproof to IP66, IP68, IP69K when mated with compatible connector
- ⊞ 30 degree push twist locking, tamperproof lock prevents accidental un-mating
- ⊞ Socket
- ⊞ 16 Contacts
- ⊞ Crimp/solder termination with contacts and fitting tool available separately
- ⊞ Plastic Body
- ⊞ PXP6083 Sealing Cap available separately to maintain IP rating of unmated connectors
- ⊞ Mate with PXP6010 Series Flex Connectors

## // General Information:

Product Display Title:	Front Panel Mount Connectors
Product Family:	Circular Power Connectors
Product Series:	6000 Series Buccaneer
Approvals:	cUL, UL, VDE
Body Colour:	Grey
Body Material:	Polycarbonate/Polybutylene Terephthalate (PC/PBT)
Body Material Type:	Plastic Body
Contact Type:	Socket Contact
Coupling Type:	Push-Twist
Current Max:	1.5A, 2A, 3A
Diameter Over Coupling Ring Mm:	32mm
Flamability Rating:	UL94V-0
Function:	Front Panel Mount Connector
Insulation Resistance:	>10 <sup>6</sup> MΩ @500V DC
Ip Rating:	IP66, IP68, IP69K
Max Contact Accomodation Awg:	22AWG
Min Contact Accomodation Awg:	26AWG
Max Contact Accomodation Mm2:	0.34mm <sup>2</sup>
Min Contact Accomodation Mm2:	0.14mm <sup>2</sup>
Max Operating Temperature:	+120°C
Min Operating Temperature:	-40°C
Max Panel Thickness:	5.2mm
Min Panel Thickness:	0.8mm
Number Of Contacts:	16 Contacts
Panel Cut Out:	22.50xR13.5-3.5mm
Rohs Compliant:	Yes
Salt Spray Corrosion Test:	EN60068-2-52 Test Kb Salt Mist (Cyclic) Marine Severity Level 1
Thread Size:	M22x1.5-6g
Voltage Max:	60V

### // Product PDF Links

 [6000 Series power connectors...](#)

 [6000 Series metal body power...](#)

### // Product 3D CAD Model Links

 [PXP6012/16S/CR3D CAD Model](#)



Have a question or project enquiry  
you'd like to talk to us about?



[Click Here To Contact Us](#)