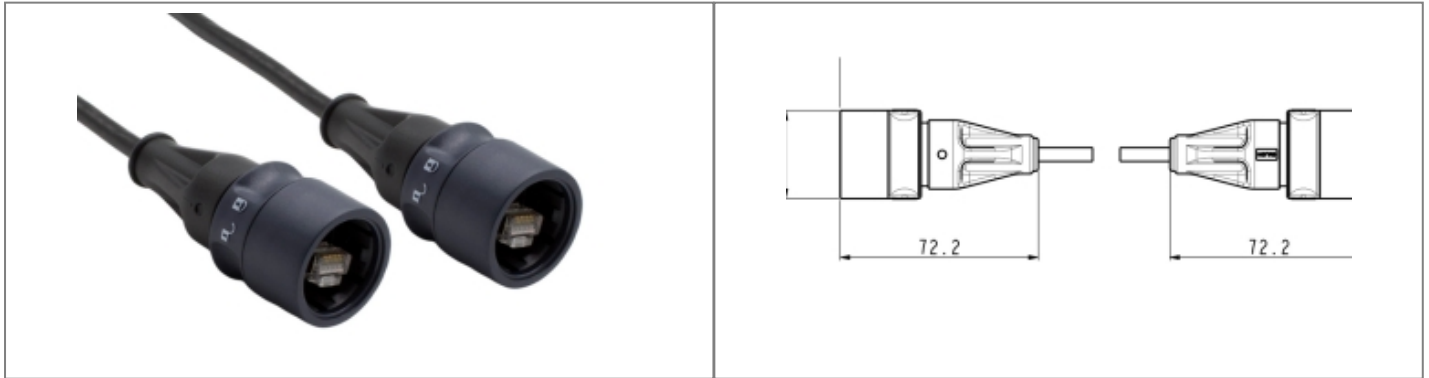


# PXP6098/2M00 Datasheet

**Product Name // Plastic Body Overmould Flex Connector  
PXP6098/2M00 Range Pre-Wired Patch Cord IP Rated RJ45  
to IP Rated RJ45 2M Cable**

[View Product Page](#)



## // Product Description:

- ⊕ Pre-Wired Cat6a shielded Patch Cord with plastic body overmoulded connector
- ⊕ Water and dustproof to IP68 & IP69K when mated with compatible connector
- ⊕ 30 degree push twist locking, tamperproof lock prevents accidental un-mating
- ⊕ Supplied with shielded Cat6a RJ45 plug
- ⊕ S-FTP cable construction
- ⊕ PVC jacket cable in a choice of lengths
- ⊕ 568-B wiring configuration
- ⊕ EIA/TIA Cat6a compliant
- ⊕ Available as IP rated RJ45 to Shielded RJ45 & IP rated RJ45 to IP rated RJ45
- ⊕ PXP6081 Sealing Cap available separately to maintain IP rating of unmated connectors
- ⊕ Mate with all plastic body Front Panel Mount Couplers & backward compatible with Cat6a variants

## // General Information:

<b>Product Display Title:</b>	Plastic Body Overmould Flex Connector Pre-Wired Patch Cord IP Rated RJ45 to IP Rated RJ45 2M Cable
<b>Product Family:</b>	Circular Data Connectors
<b>Product Series:</b>	6000 Series Ethernet
<b>Approvals:</b>	CSA, UL, VDE
<b>Body Material:</b>	Polycarbonate/Polybutylene Terephthalate (PC/PBT)
<b>Body Material Type:</b>	Plastic Body
<b>Cable Length:</b>	2m
<b>Contact Type:</b>	Plug Contact
<b>Coupling Type:</b>	Push-Twist
<b>Current Max:</b>	1.5A
<b>Data Cable Type:</b>	IP Rated RJ45 to IP Rated RJ45
<b>Diameter Over Coupling Ring Mm:</b>	32mm
<b>Ethernet Category:</b>	Cat 6a
<b>Flamability Rating:</b>	UL94V-0
<b>Function:</b>	Flex to Flex Connector Double Ended Cable
<b>Ip Rating:</b>	IP66, IP68, IP69K
<b>Max Operating Temperature:</b>	+70°C
<b>Min Operating Temperature:</b>	0°C
<b>Number Of Contacts:</b>	8 Contacts
<b>Voltage Max:</b>	42V

### // Product PDF Links

[6000 Series HDMI Product Data](#)

### // Product 3D CAD Model Links

[PXP6098/2M003D CAD Model](#)



Have a question or project enquiry  
you'd like to talk to us about?



[Click Here To Contact Us](#)