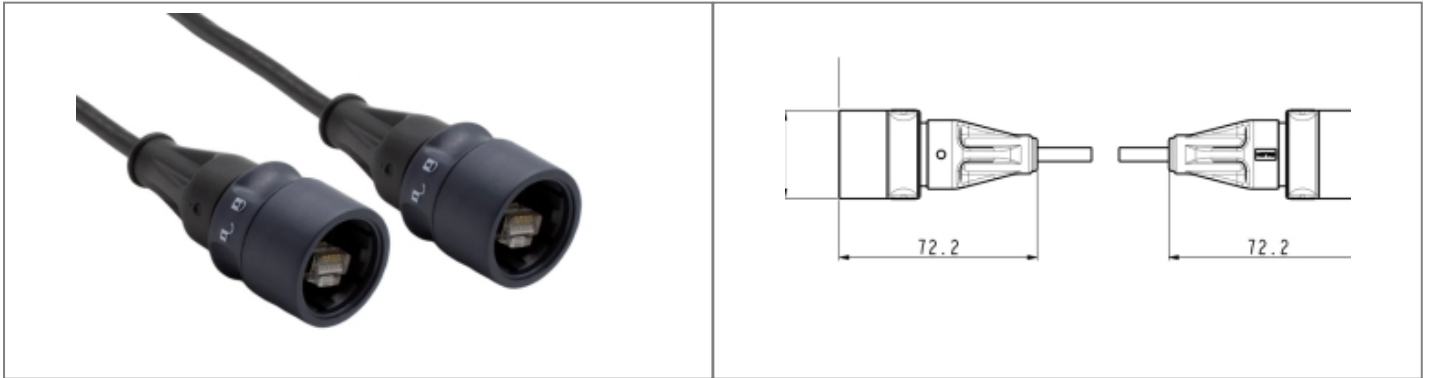


PXP6098/3M00 Datasheet

**Product Name // Plastic Body Overmould Flex Connector
PXP6098/3M00 Range Pre-Wired Patch Cord IP Rated RJ45
to IP Rated RJ45 3M Cable**

[View Product Page](#)



// Product Description:

- ⊞ Pre-Wired Cat6a shielded Patch Cord with plastic body overmoulded connector
- ⊞ Water and dustproof to IP68 & IP69K when mated with compatible connector
- ⊞ 30 degree push twist locking, tamperproof lock prevents accidental un-mating
- ⊞ Supplied with shielded Cat6a RJ45 plug
- ⊞ S-FTP cable construction
- ⊞ PVC jacket cable in a choice of lengths
- ⊞ 568-B wiring configuration
- ⊞ EIA/TIA Cat6a compliant
- ⊞ Available as IP rated RJ45 to Shielded RJ45 & IP rated RJ45 to IP rated RJ45
- ⊞ PXP6081 Sealing Cap available separately to maintain IP rating of unmated connectors
- ⊞ Mate with all plastic body Front Panel Mount Couplers & backward compatible with Cat6a variants

// General Information:

Product Display Title:	Plastic Body Overmould Flex Connector Pre-Wired Patch Cord IP Rated RJ45 to IP Rated RJ45 3M Cable
Product Family:	Circular Data Connectors
Product Series:	6000 Series Ethernet
Approvals:	CSA, UL, VDE
Body Material:	Polycarbonate/Polybutylene Terephthalate (PC/PBT)
Body Material Type:	Plastic Body
Cable Length:	3m
Contact Type:	Plug Contact
Coupling Type:	Push-Twist
Current Max:	1.5A
Data Cable Type:	IP Rated RJ45 to IP Rated RJ45
Diameter Over Coupling Ring Mm:	32mm
Ethernet Category:	Cat 6a
Flamability Rating:	UL94V-0
Function:	Flex to Flex Connector Double Ended Cable
Ip Rating:	IP66, IP68, IP69K
Max Operating Temperature:	+70°C
Min Operating Temperature:	0°C
Number Of Contacts:	8 Contacts
Voltage Max:	42V

// Product PDF Links

[6000 Series HDMI Product Data](#)

// Product 3D CAD Model Links

[PXP6098/3M003D CAD Model](#)