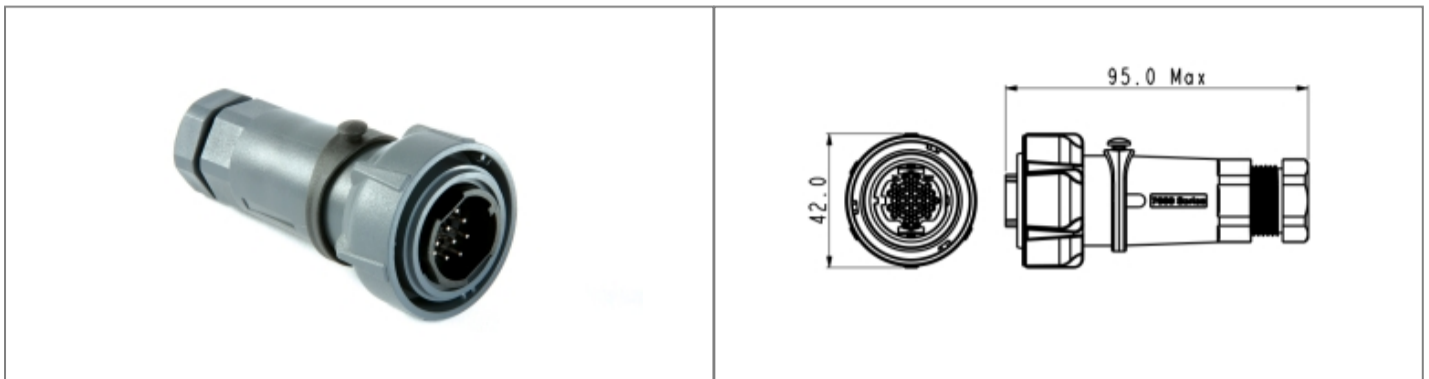


# PXP7010/06P/ST/1315 Datasheet

**Product Name // Flex Cable Connector PXP7010 Series 6**  
**Contact Plug Screw Termination (contacts supplied fitted)**  
**13mm-15mm Cable (Light Grey Gland) Plastic Body**

 [View Product Page](#)



## // Product Description:

- ⊞ Flex Cable Connectors
- ⊞ Water and dustproof to IP66, IP68, IP69K when mated with compatible connector
- ⊞ Quick turn locking ring with less than quarter turn locking and positive feedback
- ⊞ Plug or Socket
- ⊞ 2, 3, 6, 10, 32 Contact with leading Earth contact on 3 Contact versions
- ⊞ Screw, Crimp/Solder terminations available, depending on part code; Screw contacts supplied fitted, Crimp/Solder contacts and fitting tools available separately
- ⊞ Choice of body material depending on part code:
- ⊞ Plastic body (part codes prefixed PXP)
- ⊞ Metal body (part codes prefixed PXM). Cable Braid Termination option supplied with part codes suffixed /SN or available separately (part code PXM7090)
- ⊞ Choice of cable acceptance 5mm-15mm diameter depending on part code (see data for details)
- ⊞ PXP7088 Series Gland Packs available separately to accommodate all sizes
- ⊞ PXP7081/PXM7081 Sealing Cap available separately to maintain IP rating of unmated connectors
- ⊞ Mate with PXP7011/PXM7011 Series Inline and PXP7012/PXM7012 Series Front Panel Mount Connectors

## // General Information:

|                                 |   |
|---------------------------------|---|
| Product Display Title:          | Flex Cable Connectors                             |
| Product Family:                 | Circular Power Connectors                         |
| Product Series:                 | 7000 Series Buccaneer                             |
| Approvals:                      | UL  |
| Body Material:                  | Polycarbonate/Polybutylene Terephthalate (PC/PBT) |
| Body Material Type:             | Plastic Body                                      |
| Contact Type:                   | Plug Contact                                      |
| Coupling Type:                  | Bayonet Lock                                      |
| Current Max:                    | 10A   |
| Diameter Over Coupling Ring Mm: | 42mm  |
| Flamability Rating:             | UL94V-0   |
| Function:                       | Flex Cable Connector                              |
| Ip Rating:                      | IP66  |
| Max Cable Entry Size:           | 15mm  |
| Min Cable Entry Size:           | 13mm  |
| Max Contact Accomodation Awg:   | 17AWG   |
| Min Contact Accomodation Awg:   | 17AWG   |
| Max Contact Accomodation Mm2:   | 1mm <sup>2</sup>                                  |
| Min Contact Accomodation Mm2:   | 1mm <sup>2</sup>                                  |
| Max Operating Temperature:      | +120°C  |
| Min Operating Temperature:      | -40°C   |
| Number Of Contacts:             | 6 Contacts  |
| Voltage Max:                    | 600V  |

### // Product PDF Links

 [7000 Series power connectors...](#)

 [7000 Series plastic body power...](#)

### // Product 3D CAD Model Links

 [PXP7010/06P/ST/13153D CAD Model](#)