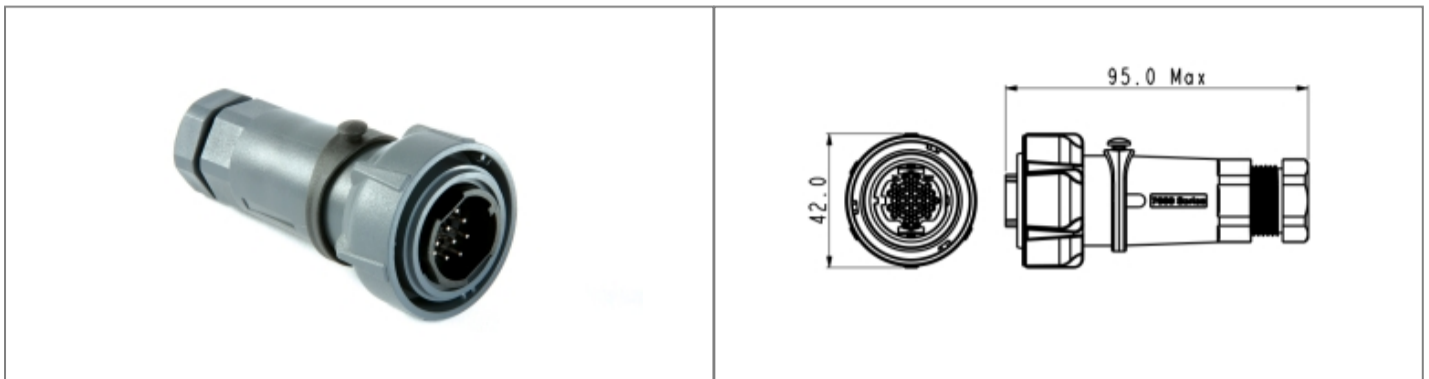


PXP7010/32P/CR/0507 Datasheet

Product Name // Flex Cable Connector PXP7010 Series 32
Contact Plug Crimp/Solder Termination (contacts available
separately) 5mm-7mm Cable (Grey Gland) Plastic Body

 [View Product Page](#)



// Product Description:

- ⊞ Flex Cable Connectors
- ⊞ Water and dustproof to IP66, IP68, IP69K when mated with compatible connector
- ⊞ Quick turn locking ring with less than quarter turn locking and positive feedback
- ⊞ Plug or Socket
- ⊞ 2, 3, 6, 10, 32 Contact with leading Earth contact on 3 Contact versions
- ⊞ Screw, Crimp/Solder terminations available, depending on part code; Screw contacts supplied fitted, Crimp/Solder contacts and fitting tools available separately
- ⊞ Choice of body material depending on part code:
- ⊞ Plastic body (part codes prefixed PXP)
- ⊞ Metal body (part codes prefixed PXM). Cable Braid Termination option supplied with part codes suffixed /SN or available separately (part code PXM7090)
- ⊞ Choice of cable acceptance 5mm-15mm diameter depending on part code (see data for details)
- ⊞ PXP7088 Series Gland Packs available separately to accommodate all sizes
- ⊞ PXP7081/PXM7081 Sealing Cap available separately to maintain IP rating of unmated connectors
- ⊞ Mate with PXP7011/PXM7011 Series Inline and PXP7012/PXM7012 Series Front Panel Mount Connectors

// General Information:

| | |
|---------------------------------|---|
| Product Display Title: | Flex Cable Connectors |
| Product Family: | Circular Power Connectors |
| Product Series: | 7000 Series Buccaneer |
| Approvals: | UL |
| Body Material: | Polycarbonate/Polybutylene Terephthalate (PC/PBT) |
| Body Material Type: | Plastic Body |
| Contact Type: | Plug Contact |
| Coupling Type: | Bayonet Lock |
| Current Max: | 3A |
| Diameter Over Coupling Ring Mm: | 42mm |
| Flamability Rating: | UL94V-0 |
| Function: | Flex Cable Connector |
| Ip Rating: | IP66 |
| Max Cable Entry Size: | 7mm |
| Min Cable Entry Size: | 5mm |
| Max Contact Accomodation Awg: | 26AWG |
| Min Contact Accomodation Awg: | 22AWG |
| Max Contact Accomodation Mm2: | 0.34mm ² |
| Min Contact Accomodation Mm2: | 0.14mm ² |
| Max Operating Temperature: | +120°C |
| Min Operating Temperature: | -40°C |
| Number Of Contacts: | 32 Contacts |
| Voltage Max: | 600V |

// Product PDF Links

 [7000 Series power connectors...](#)

 [7000 Series plastic body power...](#)

// Product 3D CAD Model Links

 [PXP7010/32P/CR/05073D CAD Model](#)