

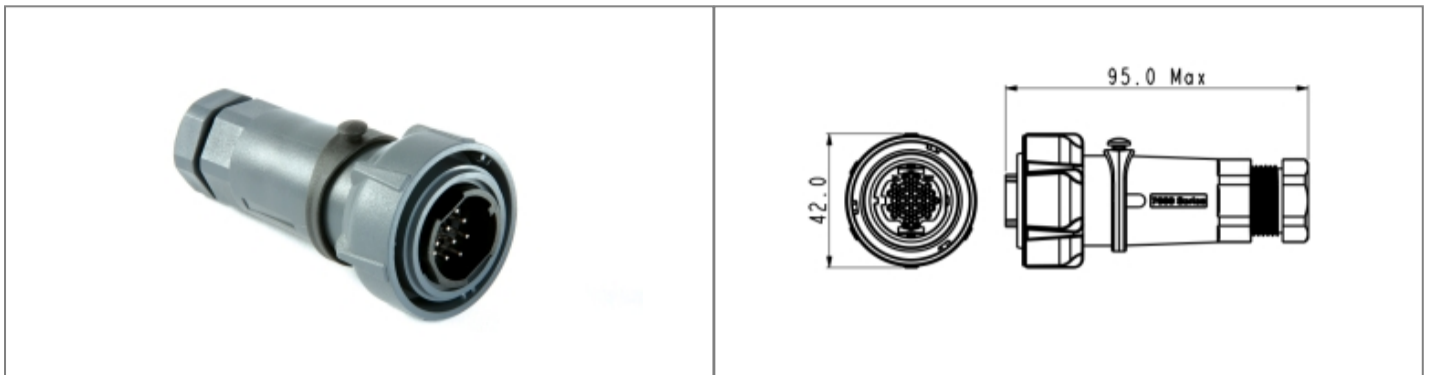
PXP7010/32S/CR/0911 Datasheet

Product Name // Flex Cable Connector PXP7010 Series 32

Contact Socket Crimp/Solder Termination (contacts available separately) 9mm-11mm Cable (Black Gland)

Plastic Body

[View Product Page](#)



// Product Description:

- ⊗ Flex Cable Connectors
- ⊗ Water and dustproof to IP66, IP68, IP69K when mated with compatible connector
- ⊗ Quick turn locking ring with less than quarter turn locking and positive feedback
- ⊗ Plug or Socket
- ⊗ 2, 3, 6, 10, 32 Contact with leading Earth contact on 3 Contact versions
- ⊗ Screw, Crimp/Solder terminations available, depending on part code; Screw contacts supplied fitted, Crimp/Solder contacts and fitting tools available separately
- ⊗ Choice of body material depending on part code:
- ⊗ Plastic body (part codes prefixed PXP)
- ⊗ Metal body (part codes prefixed PXM). Cable Braid Termination option supplied with part codes suffixed /SN or available separately (part code PXM7090)
- ⊗ Choice of cable acceptance 5mm-15mm diameter depending on part code (see data for details)
- ⊗ PXP7088 Series Gland Packs available separately to accommodate all sizes
- ⊗ PXP7081/PXM7081 Sealing Cap available separately to maintain IP rating of unmated connectors
- ⊗ Mate with PXP7011/PXM7011 Series Inline and PXP7012/PXM7012 Series Front Panel Mount Connectors

// General Information:

Product Display Title:	Flex Cable Connectors
Product Family:	Circular Power Connectors
Product Series:	7000 Series Buccaneer
Approvals:	UL
Body Material:	Polycarbonate/Polybutylene Terephthalate (PC/PBT)
Body Material Type:	Plastic Body
Contact Type:	Socket Contact
Coupling Type:	Bayonet Lock
Current Max:	3A
Diameter Over Coupling Ring Mm:	42mm
Flamability Rating:	UL94V-0
Function:	Flex Cable Connector
Ip Rating:	IP66
Max Cable Entry Size:	11mm
Min Cable Entry Size:	9mm
Max Contact Accomodation Awg:	26AWG
Min Contact Accomodation Awg:	22AWG
Max Contact Accomodation Mm2:	0.34mm ²
Min Contact Accomodation Mm2:	0.14mm ²
Max Operating Temperature:	+120°C
Min Operating Temperature:	-40°C
Number Of Contacts:	32 Contacts
Voltage Max:	600V

// Product PDF Links

[7000 Series power connectors...](#)

[7000 Series plastic body power...](#)

// Product 3D CAD Model Links

[PXP7010/32S/CR/09113D CAD Model](#)



Have a question or project enquiry you'd like to talk to us about?

[Click Here To Contact Us](#)