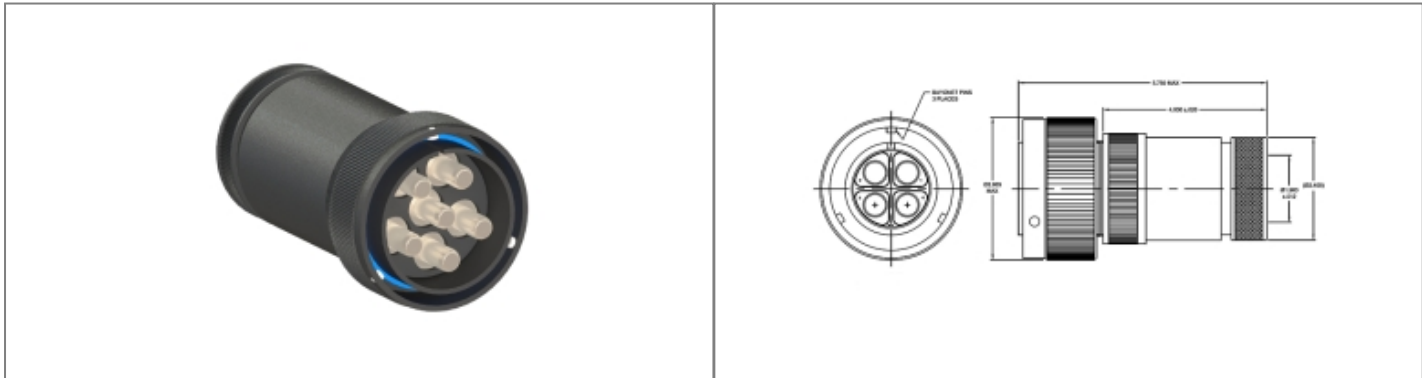


# PXP9010/06/P/1 Datasheet

Product Name // PXP9010/06/P/1

[View Product Page](#)



## // Product Description:

- ⬢ Male and Female Connectors
- ⬢ Water and dustproof to IP68 when mated with compatible connector
- ⬢ 2, 4, 6, 8, 11 Contact options
- ⬢ Bayonet Quarter Turn Lock
- ⬢ High Amperage 150A, High Voltage 700VAC

## // General Information:

Product Display Title:	9000 Series Buccaneer Connectors
Product Family:	Circular Power Connectors
Product Series:	9000 Series High Power Buccaneer
Body Material:	Delrin
Body Material Type:	Plastic Body
Contact Type:	Plug Contact
Current Max:	150A
Diameter Over Coupling Ring Mm:	72mm
Function:	Flex Cable Connector
Ip Rating:	IP68
Max Operating Temperature:	+125°C
Min Operating Temperature:	-55°C
Number Of Contacts:	6 Contacts
Voltage Max:	700V

// Product PDF Links

[9000 Series Buccaneer Datasheet](#)

// Product 3D CAD Model Links

[PXP9010/06/P/13D CAD Model](#)

Have a question or project enquiry you'd like to talk to us about?

[Click Here To Contact Us](#)