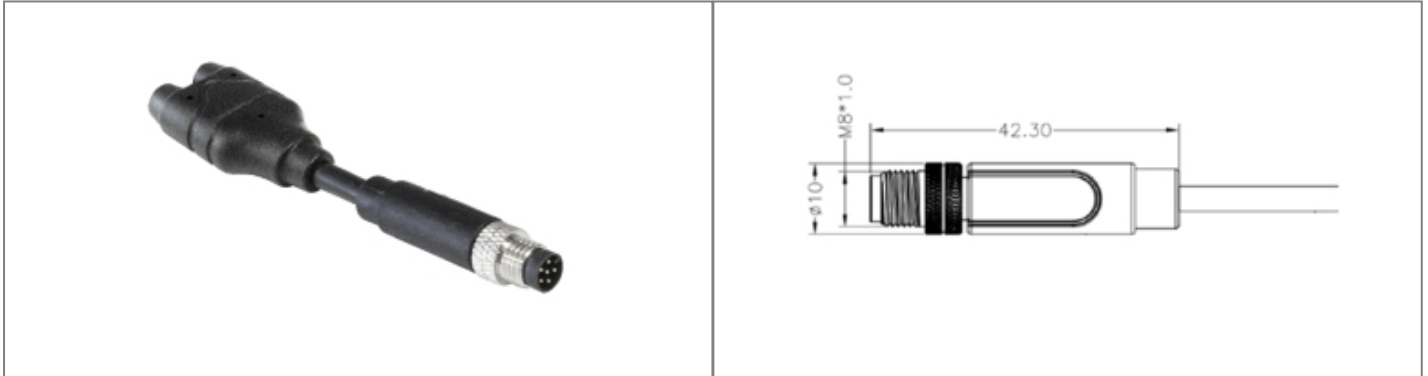


Product Name // PXPPVC08FIM06AYT010PVC

[View Product Page](#)


// Product Description:

- ⊞ Material=PVC
- ⊞ Pins=6, 8
- ⊞ Max Rating=250Vac
- ⊞ Ingress Protection=IP67
- ⊞ Operating Temperature= -25°C to +80°C
- ⊞ Mechanical Cycles=100 (min)

// General Information:

Product Display Title:	Y-Type Splitter
Product Family:	Circular Automation Connectors
Product Series:	M8 Series
Body Material:	PVC
Contact Type:	Plug Contact
Number Of Contacts:	6 Contacts
Sheath Material:	PVC

// Product PDF Links

[M8 Series automation connectors...](#)

// Product 3D CAD Model Links

[PXPPVC08FIM06AYT010PVC3D CAD Model](#)