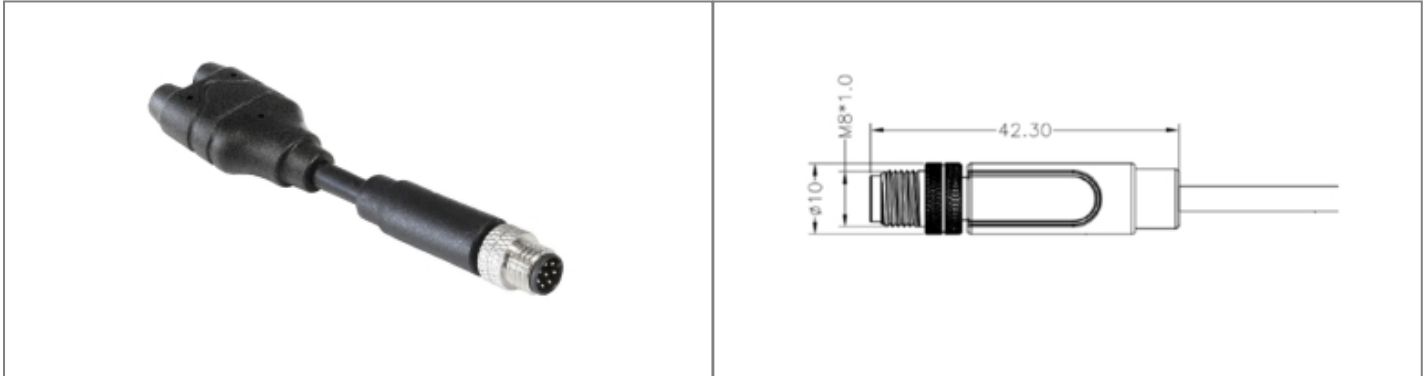


Product Name // PXPPVC08FIM08AYT010PVC

[View Product Page](#)


// Product Description:

- ⬢ Material=PVC
- ⬢ Pins=6, 8
- ⬢ Max Rating=250Vac
- ⬢ Ingress Protection=IP67
- ⬢ Operating Temperature= -25°C to +80°C
- ⬢ Mechanical Cycles=100 (min)

// General Information:

Product Display Title:	Y-Type Splitter
Product Family:	Circular Automation Connectors
Product Series:	M8 Series
Body Material:	PVC
Contact Type:	Plug Contact
Number Of Contacts:	8 Contacts
Sheath Material:	PVC

// Product PDF Links

[M8 Series automation connectors...](#)

// Product 3D CAD Model Links

[PXPPVC08FIM08AYT010PVC3D CAD Model](#)