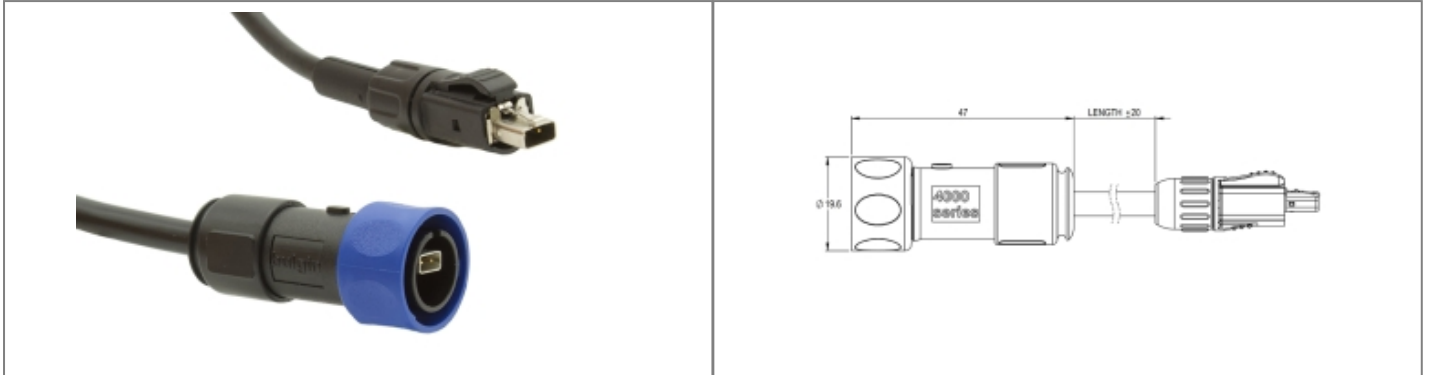


PXPSPE4030/1M/22 Datasheet

**Product Name // 4000 Series SPE Flex to IP20 Cable
 Assembly - 1m - 22 AWG**

[View Product Page](#)



// Product Description:

- ⊞ Pre-Wired Flex Patch Cord Connector
- ⊞ SPE T1 interface within 4000 Series Buccaneer housing - to IP20 T1 connector
- ⊞ 1m cable length
- ⊞ 22 AWG cable gauge
- ⊞ Sealing caps available separately to maintain IP rating of unmated connectors
- ⊞ Mates with PXPSPE4032 and PXPSPE4033 panel mounting connectors
- ⊞ Connector interfaces compliant with IEC 63171-6
- ⊞ Cable compliant with IEC 61156-12

// General Information:

Product Display Title:	SPE Patch Cord Assembly
Product Family:	Circular Data Connectors
Product Series:	4000 Series - SPE
Body Colour:	Black
Body Material:	Polycarbonate/Polybutylene Terephthalate (PC/PBT)
Body Material Type:	Plastic Body
Cable Length:	1m
Contact Type:	Plug Contact
Coupling Type:	Bayonet Lock
Current Max:	4A
Data Cable Type:	22 AWG SPE Cable - IP20 Plug to Sealed Plug
Diameter Over Coupling Ring Mm:	19.7mm
Ethernet Category:	10BASE-T1L
Flamability Rating:	UL94V-0
Function:	Patch Cord Cable Assembly
Ip Rating:	IP66, IP67, IP68
Max Operating Temperature:	+85°C
Min Operating Temperature:	-30°C
Number Of Contacts:	2 Contacts
Rohs Compliant:	Yes
Voltage Max:	60V

// Product PDF Links

[4000 Series SPE connectors product...](#)

// Product 3D CAD Model Links

[PXPSPE4030/1M/223D CAD Model](#)



Have a question or project enquiry
 you'd like to talk to us about?



[Click Here To Contact Us](#)