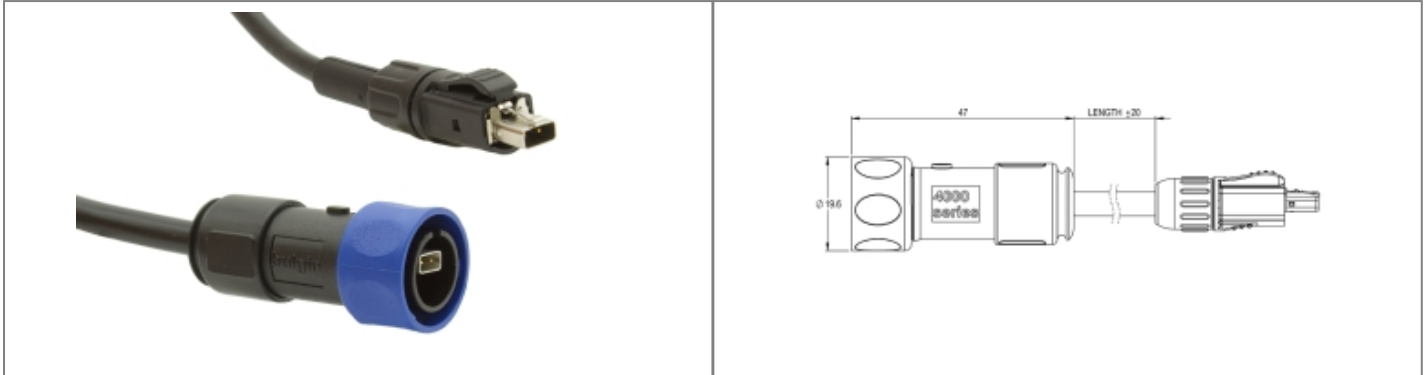


# PXPSPE4030/2M/22 Datasheet

**Product Name // 4000 Series SPE Flex to IP20 Cable  
 Assembly - 2m - 22 AWG**

[View Product Page](#)



## // Product Description:

- ⬢ Pre-Wired Flex Patch Cord Connector
- ⬢ SPE T1 interface within 4000 Series Buccaneer housing - to IP20 T1 connector
- ⬢ 2m cable length
- ⬢ 22 AWG cable gauge
- ⬢ Sealing caps available separately to maintain IP rating of unmated connectors
- ⬢ Mates with PXPSPE4032 and PXPSPE4033 panel mounting connectors
- ⬢ Connector interfaces compliant with IEC 63171-6
- ⬢ Cable compliant with IEC 61156-12

## // General Information:

Product Display Title:	SPE Patch Cord Assembly
Product Family:	Circular Data Connectors
Product Series:	4000 Series - SPE
Body Colour:	Black
Body Material:	Polycarbonate/Polybutylene Terephthalate (PC/PBT)
Body Material Type:	Plastic Body
Cable Length:	2m
Contact Type:	Plug Contact
Coupling Type:	Bayonet Lock
Current Max:	4A
Data Cable Type:	22 AWG SPE Cable - IP20 Plug to Sealed Plug
Diameter Over Coupling Ring Mm:	19.7mm
Ethernet Category:	10BASE-T1L
Flamability Rating:	UL94V-0
Function:	Patch Cord Cable Assembly
Ip Rating:	IP66, IP67, IP68
Max Operating Temperature:	+85°C
Min Operating Temperature:	-30°C
Number Of Contacts:	2 Contacts
Rohs Compliant:	Yes
Voltage Max:	60V

### // Product PDF Links

[4000 Series SPE connectors product...](#)

### // Product 3D CAD Model Links

[PXPSPE4030/2M/223D CAD Model](#)