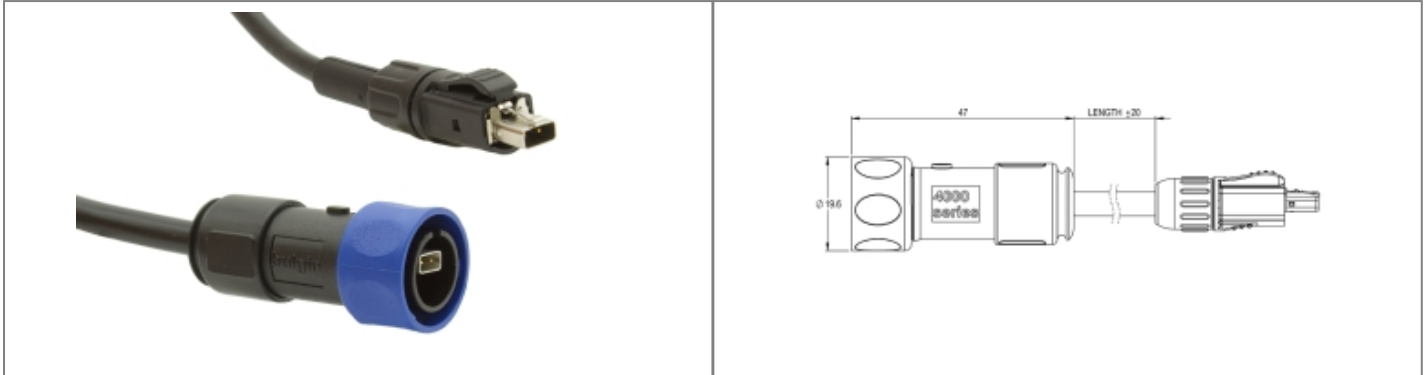


# PXPSPE4030/3M/26 Datasheet

**Product Name // 4000 Series SPE Flex to IP20 Cable  
 Assembly - 3m - 26 AWG**

[View Product Page](#)



## // Product Description:

- ⊞ Pre-Wired Flex Patch Cord Connector
- ⊞ SPE T1 interface within 4000 Series Buccaneer housing - to IP20 T1 connector
- ⊞ 3m cable length
- ⊞ 26 AWG cable gauge
- ⊞ Sealing caps available separately to maintain IP rating of unmated connectors
- ⊞ Mates with PXPSPE4032 and PXPSPE4033 panel mounting connectors
- ⊞ Connector interfaces compliant with IEC 63171-6
- ⊞ Cable compliant with IEC 61156-12

## // General Information:

|                                 |   |
|---------------------------------|---|
| Product Display Title:          | SPE Patch Cord Assembly                           |
| Product Family:                 | Circular Data Connectors                          |
| Product Series:                 | 4000 Series - SPE                                 |
| Body Colour:                    | Black   |
| Body Material:                  | Polycarbonate/Polybutylene Terephthalate (PC/PBT) |
| Body Material Type:             | Plastic Body                                      |
| Cable Length:                   | 3m  |
| Contact Type:                   | Plug Contact                                      |
| Coupling Type:                  | Bayonet Lock                                      |
| Current Max:                    | 4A  |
| Data Cable Type:                | 26 AWG SPE Cable - IP20 Plug to Sealed Plug       |
| Diameter Over Coupling Ring Mm: | 19.7mm  |
| Ethernet Category:              | 10BASE-T1L  |
| Flamability Rating:             | UL94V-0   |
| Function:                       | Patch Cord Cable Assembly                         |
| Ip Rating:                      | IP66, IP67, IP68                                  |
| Max Operating Temperature:      | +85°C   |
| Min Operating Temperature:      | -30°C   |
| Number Of Contacts:             | 2 Contacts  |
| Rohs Compliant:                 | Yes   |
| Voltage Max:                    | 60V   |

### // Product PDF Links

[4000 Series SPE connectors product...](#)

### // Product 3D CAD Model Links

[PXPSPE4030/3M/263D CAD Model](#)