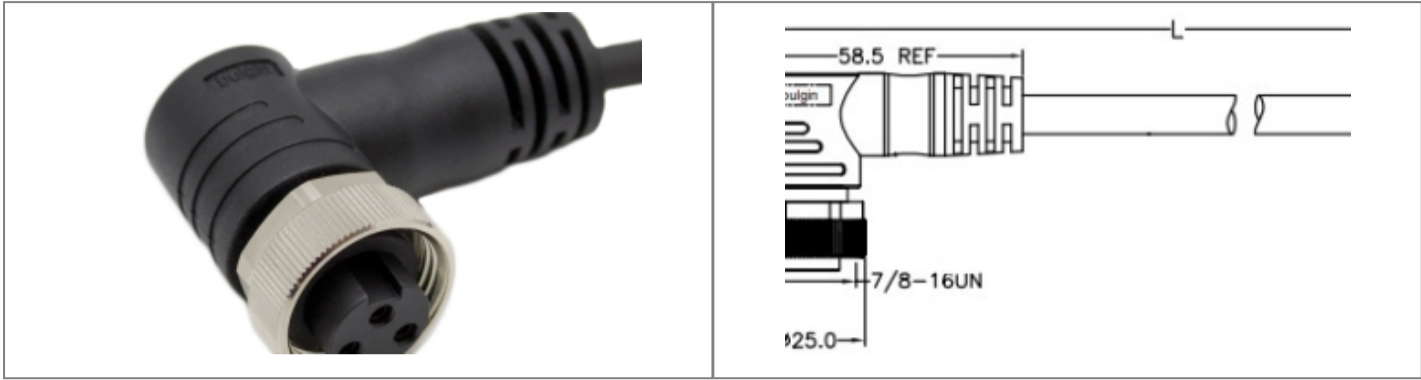


# PXPTPU78RAF03ACL020PUR Datasheet

**Product Name // 3 Contacts 7/8" Right Angled Female 2m Cable**

[View Product Page](#)



**// Product Description:**

- ⊞ 3 Contacts 7-8" Right Angled Female 2m Cable
- ⊞ Operating Temperature= -25°C to +85°C
- ⊞ IP67 rated when mated
- ⊞ Rated Voltage 300 V
- ⊞ Mechanical Cycles >100
- ⊞ ROHS compliance

**// General Information:**

Product Display Title:	7/8" Right Angled Female 2m Cable
Product Family:	Circular Automation Connectors
Product Series:	7/8" Series
Cable Length:	2m
Connection Method:	Solder
Contact Type:	Socket Contact
Current Max:	12A
Durability:	>100 Cycles
Function:	Right Angled Female Connector Single Ended Cable
Insulation Resistance:	>100MOhm
Ip Rating:	IP67
Max Cable Entry Size:	6.5mm
Max Operating Temperature:	+80°C
Min Operating Temperature:	-25°C
Number Of Contacts:	3 Contacts
Pin Layout Code:	A Code
Rohs Compliant:	Yes
Thread Size:	7/8-16UN
Voltage Max:	300V

**// Product PDF Links**

[78 Series Circular connectors...](#)

**// Product 3D CAD Model Links**

[PXPTPU78RAF03ACL020PUR3D CAD Model](#)