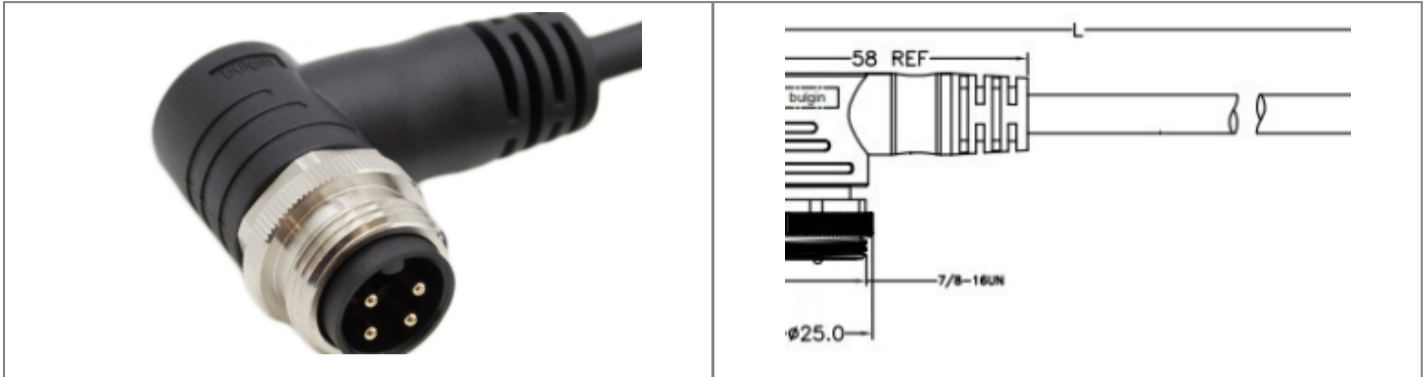


# PXPTPU78RAM04ACL050PUR Datasheet

**Product Name // 4 Contacts 7/8" Right Angled Male 5m Cable**

[View Product Page](#)



## // Product Description:

- ⊗ 3 Contacts 7-8" Right Angled Male 5m Cable
- ⊗ IP67 rated when mated
- ⊗ Mechanical Cycles >100
- ⊗ Operating Temperature -25°C to +85°C
- ⊗ Rated Voltage 300 V
- ⊗ ROHS compliance

## // General Information:

Product Display Title:	7/8" Right Angled Male 5m Cable
Product Family:	Circular Automation Connectors
Product Series:	7/8" Series
Cable Length:	5m
Connection Method:	Solder
Contact Type:	Plug Contact
Current Max:	8A
Durability:	>100 Cycles
Function:	Right Angled Male Connector Single Ended Cable
Insulation Resistance:	>100MOhm
Ip Rating:	IP67
Max Cable Entry Size:	7.0mm
Max Operating Temperature:	+80°C
Min Operating Temperature:	-25°C
Number Of Contacts:	4 Contacts
Pin Layout Code:	A Code
Rohs Compliant:	Yes
Thread Size:	7/8-16UN
Voltage Max:	300V

**// Product PDF Links**

[78 Series Circular connectors...](#)

**// Product 3D CAD Model Links**

[PXPTPU78RAM04ACL050PUR3D CAD Mod...](#)