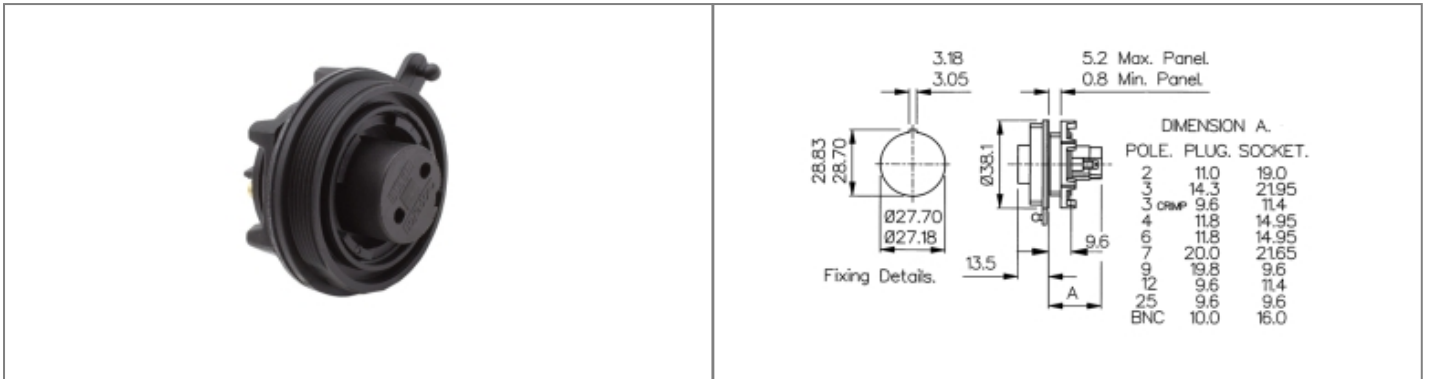


Product Name // Vitalis Buccaneer Front Panel Mount Range (9 Contact)
[View Product Page](#)

// Product Description:

- ⬢ PXV0727/S provides a PCF reduction of 4.7 kg CO₂e per 100 units compared to the equivalent Standard Series Buccaneer part number
- ⬢ Front Panel Mount Connector
- ⬢ Water and dustproof to IP68 when mated with compatible connectors
- ⬢ Single hole fixing
- ⬢ Socket contacts
- ⬢ 9 pole
- ⬢ Crimp contacts, supplied loose
- ⬢ PXV0733 Sealing Cap available separately to maintain IP rating of unmated connectors
- ⬢ Mates with Standard Vitalis Series (PXV) and Standard Series (PX) Buccaneer Flex Connectors

// General Information:

Product Display Title:	Vitalis Buccaneer Front Panel Mount Range (9 Contact)
Product Family:	Circular Power Connector
Product Series:	Standard Vitalis Buccaneer
Approvals:	UL, VDE
Body Colour:	Black
Body Material:	Polyamide (PA)- Glass Filled
Body Material Type:	Plastic Body
Contact Type:	Socket Contact
Coupling Type:	Screw
Current Max:	5A
Diameter Over Coupling Ring Mm:	38.1mm
Flamability Rating:	UL94HB
Function:	Front Panel Mount Connector
Insert Colour:	Black Insert
Ip Rating:	IP68, IP69K
Max Contact Accomodation Awg:	24AWG
Min Contact Accomodation Awg:	26AWG
Max Contact Accomodation Mm2:	0.25mm2
Min Contact Accomodation Mm2:	0.14mm2
Max Operating Temperature:	+70°C
Min Operating Temperature:	-20°C
Number Of Contacts:	9 Contacts
Rohs Compliant:	Yes
Voltage Max:	150V

// Product PDF Links
[Standard Vitalis Buccaneer Product...](#)
// Product 3D CAD Model Links
[PXV0727/S3D CAD Model](#)