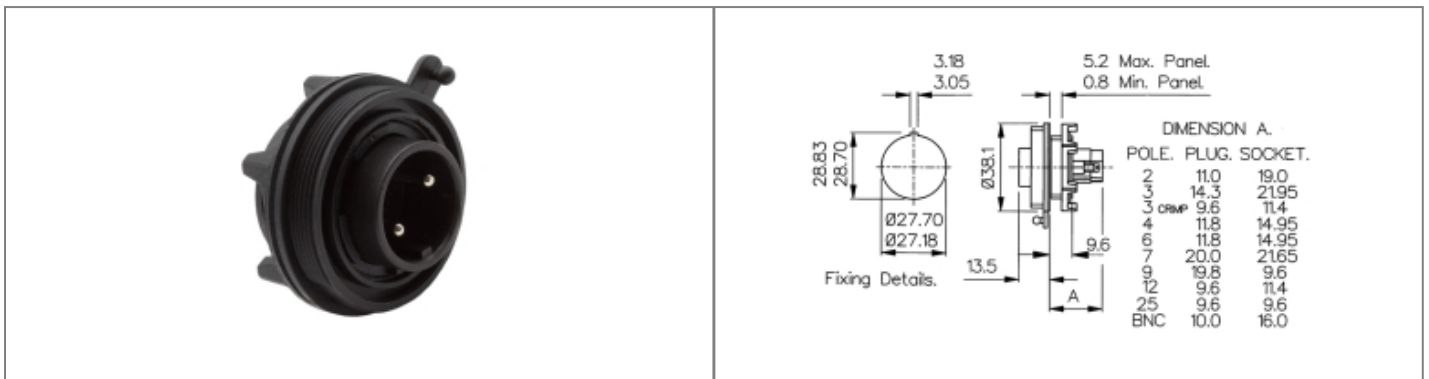


PXV0744/P Datasheet

Product Name // Vitalis Buccaneer Front Panel Mount Range (7 Contact)

[View Product Page](#)


// Product Description:

- ⊞ PXV0744/P provides a PCF reduction of 3.6 kg CO₂e per 100 units compared to the equivalent Standard Series Buccaneer part number
- ⊞ Front Panel Mount Connector
- ⊞ Water and dustproof to IP68 when mated with compatible connectors
- ⊞ Single hole fixing
- ⊞ Plug contacts
- ⊞ 7 pole
- ⊞ Screw contacts, supplied fitted
- ⊞ PXV0733 Sealing Cap available separately to maintain IP rating of unmated connectors
- ⊞ Mates with Standard Vitalis Series (PXV) and Standard Series (PX) Buccaneer Flex Connectors

// General Information:

Product Display Title:	Vitalis Buccaneer Front Panel Mount Range (7 Contact)
Product Family:	Circular Power Connector
Product Series:	Standard Vitalis Buccaneer
Approvals:	UL, VDE
Body Colour:	Black
Body Material:	Polyamide (PA)- Glass Filled
Body Material Type:	Plastic Body
Contact Type:	Plug Contact
Coupling Type:	Screw
Current Max:	3A, 5A
Diameter Over Coupling Ring Mm:	38.1mm
Flamability Rating:	UL94HB
Function:	Front Panel Mount Connector
Insert Colour:	Black Insert
Ip Rating:	IP68, IP69K
Max Contact Accomodation Awg:	16AWG
Min Contact Accomodation Awg:	17AWG
Max Contact Accomodation Mm2:	1.5mm2
Min Contact Accomodation Mm2:	1mm2
Max Operating Temperature:	+70°C
Min Operating Temperature:	-20°C
Number Of Contacts:	7 Contacts
Rohs Compliant:	Yes
Voltage Max:	277V

// Product PDF Links

[Standard Vitalis Buccaneer Product...](#)

// Product 3D CAD Model Links

[PXV0744/P3D CAD Model](#)