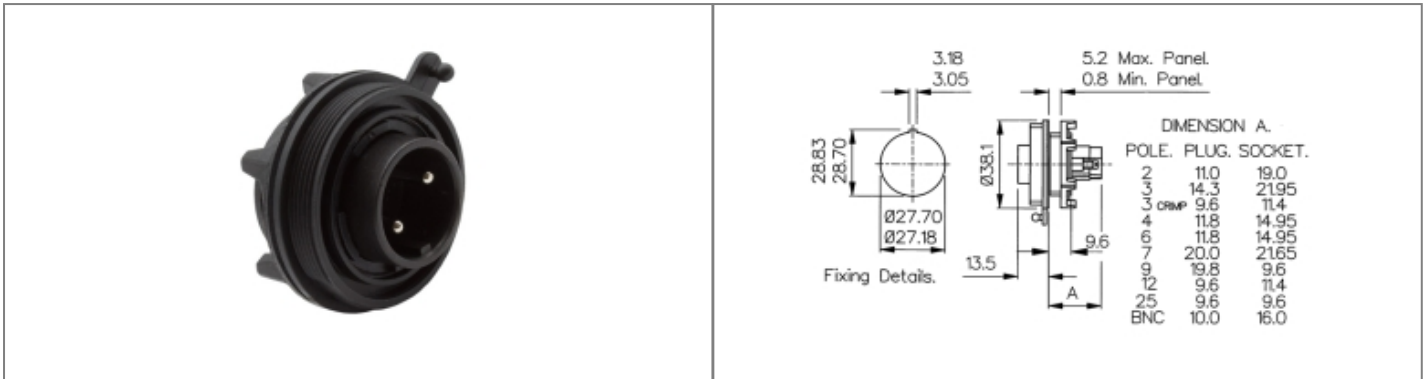


**Product Name // Vitalis Buccaneer Front Panel Mount Range (4 Contact)**
 [View Product Page](#)

**// Product Description:**

- ⬢ PXV0747/P provides a PCF reduction of 3.9 kg CO<sub>2</sub>e per 100 units compared to the equivalent Standard Series Buccaneer part number
- ⬢ Front Panel Mount Connector
- ⬢ Water and dustproof to IP68 when mated with compatible connectors
- ⬢ Single hole fixing
- ⬢ Plug contacts
- ⬢ 4 pole
- ⬢ Screw contacts, supplied fitted
- ⬢ PXV0733 Sealing Cap available separately to maintain IP rating of unmated connectors
- ⬢ Mates with Standard Vitalis Series (PXV) and Standard Series (PX) Buccaneer Flex Connectors

**// General Information:**

Product Display Title:	Vitalis Buccaneer Front Panel Mount Range (4 Contact)
Product Family:	Circular Power Connector
Product Series:	Standard Vitalis Buccaneer
Approvals:	UL, VDE
Body Colour:	Black
Body Material:	Polyamide (PA)- Glass Filled
Body Material Type:	Plastic Body
Contact Type:	Plug Contact
Coupling Type:	Screw
Current Max:	10A, 6A
Diameter Over Coupling Ring Mm:	38.1mm
Flamability Rating:	UL94HB
Function:	Front Panel Mount Connector
Insert Colour:	Black Insert
Ip Rating:	IP68, IP69K
Max Contact Accomodation Awg:	16AWG
Min Contact Accomodation Awg:	17AWG
Max Contact Accomodation Mm2:	1.5mm2
Min Contact Accomodation Mm2:	1mm2
Max Operating Temperature:	+70°C
Min Operating Temperature:	-20°C
Number Of Contacts:	4 Contacts
Rohs Compliant:	Yes
Voltage Max:	277V

**// Product PDF Links**
 [Standard Vitalis Buccaneer Product...](#)
**// Product 3D CAD Model Links**
 [PXV0747/P3D CAD Model](#)