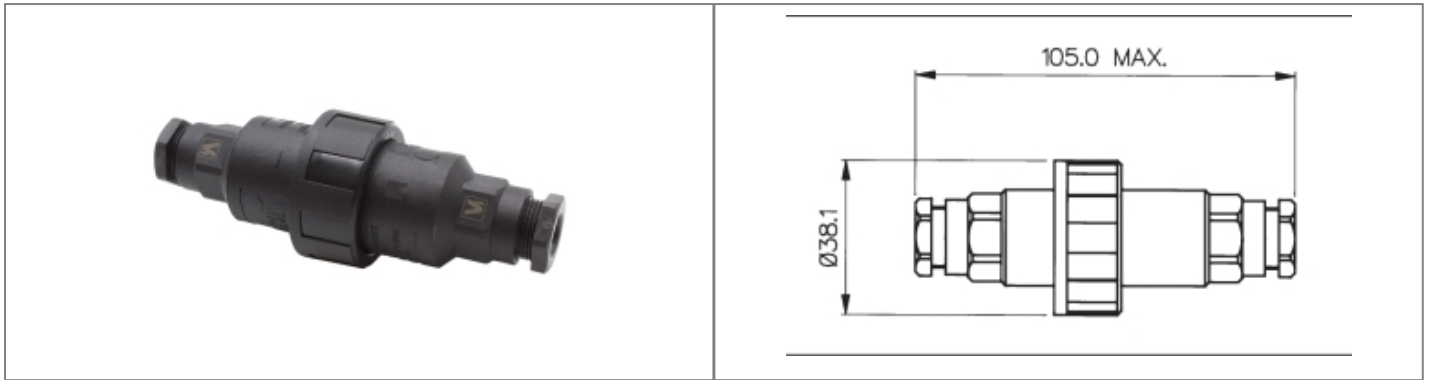


PXV0777 Datasheet

Product Name // Vitalis Buccaneer Inline Sealed Cable Joiner Range (3 Way Terminal Block)

[View Product Page](#)


// Product Description:

- ⬡ PXV0777 provides a PCF reduction of 6.5 kg CO₂e per 100 units compared to the equivalent Standard Series Buccaneer part number
- ⬡ Sealed Cable Joiner
- ⬡ Water and dustproof to IP68 when mated
- ⬡ Supplied with 3-way terminal block
- ⬡ 6mm-8mm diameter cable acceptance
- ⬡ Cable Glands for differing cable diameters available separately individually or in packs
- ⬡ Cable Support accessory 12237/R available separately

// General Information:

| | |
|---------------------------------|--|
| Product Display Title: | Vitalis Buccaneer In-Line Sealed Cable Joiner Range (3 Way Terminal Block) |
| Product Family: | Circular Power Connector |
| Product Series: | Standard Vitalis Buccaneer |
| Body Colour: | Black |
| Body Material: | Polyamide (PA)- Glass Filled |
| Body Material Type: | Plastic Body |
| Contact Type: | Terminal Block |
| Coupling Type: | Screw |
| Current Max: | 16A |
| Diameter Over Coupling Ring Mm: | 38.1mm |
| Flamability Rating: | UL94HB |
| Function: | Flex to Inline Sealed Cable Joiner |
| Ip Rating: | IP68, IP69K |
| Max Cable Entry Size: | 8mm |
| Min Cable Entry Size: | 6mm |
| Max Operating Temperature: | +70°C |
| Min Operating Temperature: | -20°C |
| Number Of Contacts: | 3 Contacts |
| Rohs Compliant: | Yes |
| Voltage Max: | 250V |

// Product PDF Links

[Standard Vitalis Buccaneer Product...](#)

// Product 3D CAD Model Links

[PXV07773D CAD Model](#)