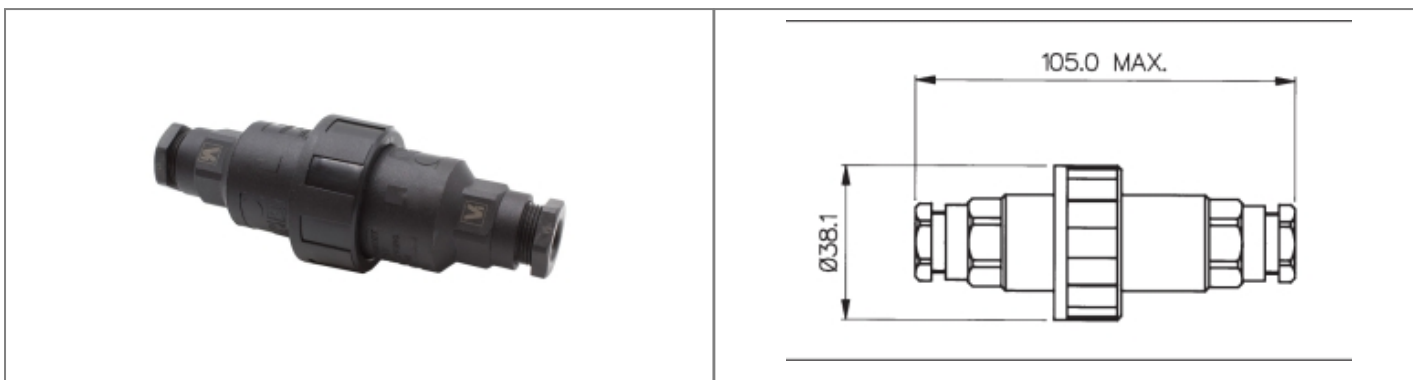


PXV0777/04 Datasheet

Product Name // Vitalis Buccaneer Inline Sealed Cable Joiner Range (3 Way Terminal Block)

[View Product Page](#)


// Product Description:

- ⬢ PXV0777/04 provides a PCF reduction of 6.5 kg CO₂e per 100 units compared to the equivalent Standard Series Buccaneer part number
- ⬢ Sealed Cable Joiner
- ⬢ Water and dustproof to IP68 when mated
- ⬢ Supplied with 3-way terminal block
- ⬢ 3.5mm-5mm diameter cable acceptance
- ⬢ Cable Glands for differing cable diameters available separately individually or in packs
- ⬢ Cable Support accessory 12237/R available separately

// General Information:

Product Display Title:	Vitalis Buccaneer In-Line Sealed Cable Joiner Range (3 Way Terminal Block)
Product Family:	Circular Power Connector
Product Series:	Standard Vitalis Buccaneer
Body Colour:	Black
Body Material:	Polyamide (PA)- Glass Filled
Body Material Type:	Plastic Body
Contact Type:	Terminal Block
Coupling Type:	Screw
Current Max:	16A
Diameter Over Coupling Ring Mm:	38.1mm
Flamability Rating:	UL94HB
Function:	Flex to Inline Sealed Cable Joiner
Ip Rating:	IP68, IP69K
Max Cable Entry Size:	5mm
Min Cable Entry Size:	3.5mm
Max Operating Temperature:	+70°C
Min Operating Temperature:	-20°C
Number Of Contacts:	3 Contacts
Rohs Compliant:	Yes
Voltage Max:	250V

// Product PDF Links

[Standard Vitalis Buccaneer Product...](#)

// Product 3D CAD Model Links

[PXV0777/043D CAD Model](#)


Have a question or project enquiry you'd like to talk to us about?



[Click Here To Contact Us](#)