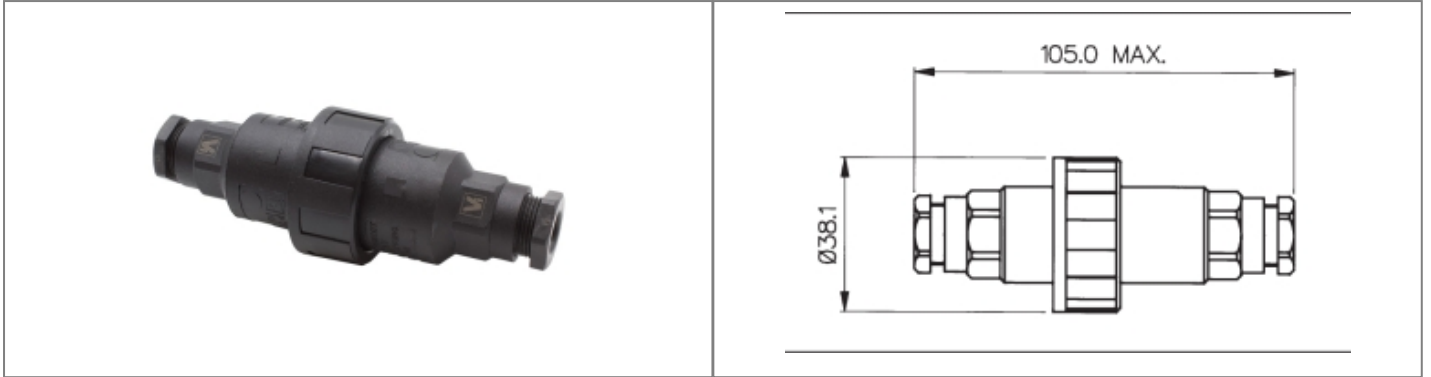


## Product Name // Vitalis Buccaneer Inline Sealed Cable Joiner Range (4 Way Terminal Block)

[View Product Page](#)


### // Product Description:

- ⬢ PXV0777/4POLE/04 provides a PCF reduction of 8.2 kg CO<sub>2</sub>e per 100 units compared to the equivalent Standard Series Buccaneer part number
- ⬢ Sealed Cable Joiner
- ⬢ Water and dustproof to IP68 when mated
- ⬢ Supplied with 4-way terminal block
- ⬢ 3.5mm-5mm diameter cable acceptance
- ⬢ Cable Glands for differing cable diameters available separately individually or in packs
- ⬢ Cable Support accessory 12237/R available separately

### // General Information:

|                                 |  |
|---------------------------------|--|
| Product Display Title:          | Vitalis Buccaneer In-Line Sealed Cable Joiner Range (4 Way Terminal Block) |
| Product Family:                 | Circular Power Connector   |
| Product Series:                 | Standard Vitalis Buccaneer   |
| Body Colour:                    | Black  |
| Body Material:                  | Polyamide (PA)- Glass Filled   |
| Body Material Type:             | Plastic Body   |
| Contact Type:                   | Terminal Block   |
| Coupling Type:                  | Screw  |
| Current Max:                    | 10A  |
| Diameter Over Coupling Ring Mm: | 38.1mm   |
| Flamability Rating:             | UL94V-0  |
| Function:                       | Flex to Inline Sealed Cable Joiner   |
| Ip Rating:                      | IP68, IP69K  |
| Max Cable Entry Size:           | 5mm  |
| Min Cable Entry Size:           | 3.5mm  |
| Max Operating Temperature:      | +70°C  |
| Min Operating Temperature:      | -20°C  |
| Number Of Contacts:             | 4 Contacts   |
| Rohs Compliant:                 | Yes  |
| Voltage Max:                    | 250V   |

#### // Product PDF Links

[Standard Vitalis Buccaneer Product...](#)

#### // Product 3D CAD Model Links

[PXV0777/4POLE/043D CAD Model](#)