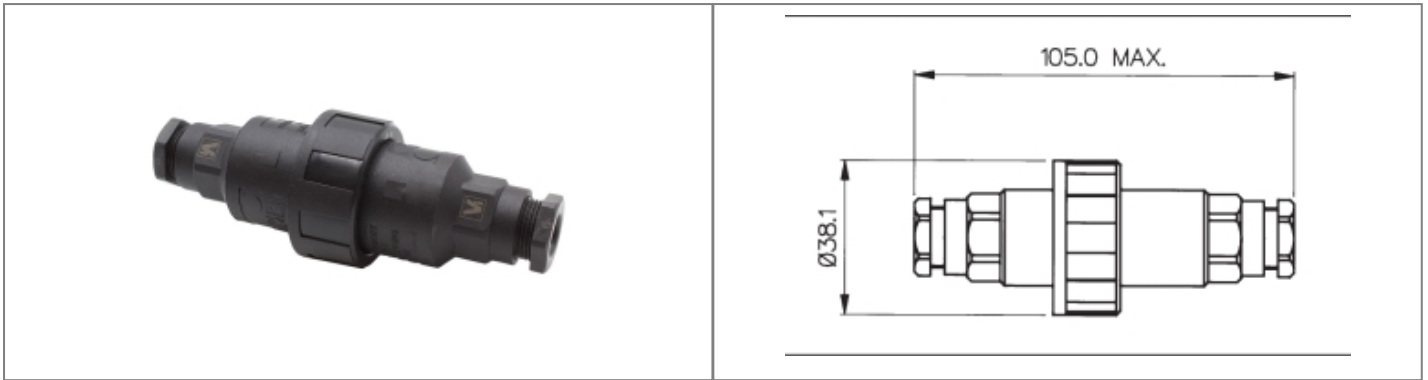


PXV0777/4POLE/05 Datasheet

Product Name // Vitalis Buccaneer Inline Sealed Cable Joiner Range (4 Way Terminal Block)

[View Product Page](#)


// Product Description:

- ⊕ PXV0777/4POLE/05 provides a PCF reduction of 8.2 kg CO₂e per 100 units compared to the equivalent Standard Series Buccaneer part number
- ⊕ Sealed Cable Joiner
- ⊕ Water and dustproof to IP68 when mated
- ⊕ Supplied with 4-way terminal block
- ⊕ 5mm-7mm diameter cable acceptance
- ⊕ Cable Glands for differing cable diameters available separately individually or in packs
- ⊕ Cable Support accessory 12237/R available separately

// General Information:

Product Display Title:	Vitalis Buccaneer In-Line Sealed Cable Joiner Range (4 Way Terminal Block)
Product Family:	Circular Power Connector
Product Series:	Standard Vitalis Buccaneer
Body Colour:	Black
Body Material:	Polyamide (PA)- Glass Filled
Body Material Type:	Plastic Body
Contact Type:	Terminal Block
Coupling Type:	Screw
Current Max:	10A
Diameter Over Coupling Ring Mm:	38.1mm
Flamability Rating:	UL94V-0
Function:	Flex to Inline Sealed Cable Joiner
Ip Rating:	IP68, IP69K
Max Cable Entry Size:	7mm
Min Cable Entry Size:	5mm
Max Operating Temperature:	+70°C
Min Operating Temperature:	-20°C
Number Of Contacts:	4 Contacts
Rohs Compliant:	Yes
Voltage Max:	250V

// Product PDF Links

[Standard Vitalis Buccaneer Product...](#)

// Product 3D CAD Model Links

[PXV0777/4POLE/053D CAD Model](#)


Have a question or project enquiry you'd like to talk to us about?

[Click Here To Contact Us](#)