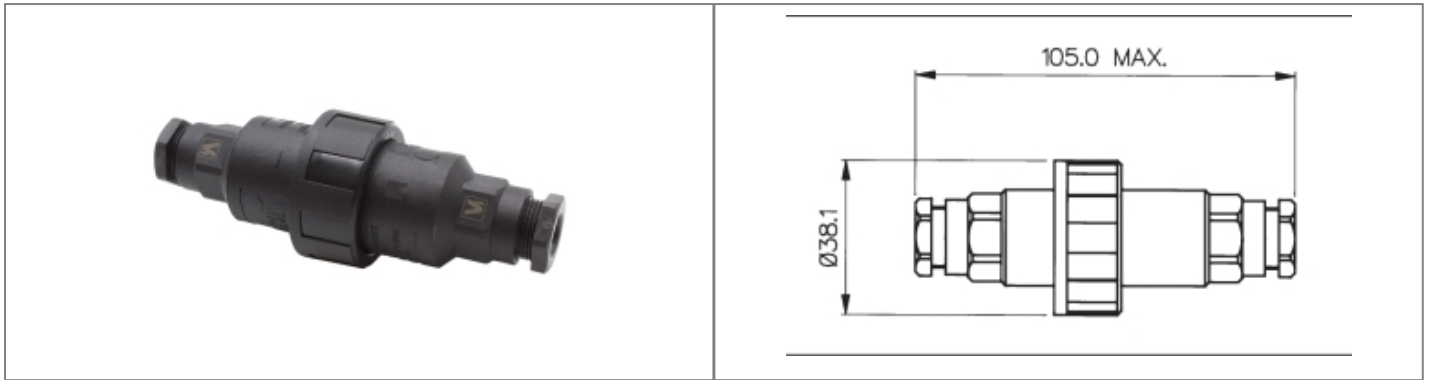


PXV0777/6POLE Datasheet

Product Name // Vitalis Buccaneer Inline Sealed Cable Joiner Range (6 Way Terminal Block)

[View Product Page](#)


// Product Description:

- ⬢ PXV0777/6POLE provides a PCF reduction of 8.2 kg CO₂e per 100 units compared to the equivalent Standard Series Buccaneer part number
- ⬢ Sealed Cable Joiner
- ⬢ Water and dustproof to IP68 when mated
- ⬢ Supplied with 6-way terminal block
- ⬢ 6mm-8mm diameter cable acceptance
- ⬢ Cable Glands for differing cable diameters available separately individually or in packs
- ⬢ Cable Support accessory 12237/R available separately

// General Information:

Product Display Title:	Vitalis Buccaneer In-Line Sealed Cable Joiner Range (6 Way Terminal Block)
Product Family:	Circular Power Connector
Product Series:	Standard Vitalis Buccaneer
Body Colour:	Black
Body Material:	Polyamide (PA)- Glass Filled
Body Material Type:	Plastic Body
Contact Type:	Terminal Block
Coupling Type:	Screw
Current Max:	10A
Diameter Over Coupling Ring Mm:	38.1mm
Flamability Rating:	UL94V-0
Function:	Flex to Inline Sealed Cable Joiner
Ip Rating:	IP68, IP69K
Max Cable Entry Size:	8mm
Min Cable Entry Size:	6mm
Max Operating Temperature:	+70°C
Min Operating Temperature:	-20°C
Number Of Contacts:	6 Contacts
Rohs Compliant:	Yes
Voltage Max:	250V

// Product PDF Links

[Standard Vitalis Buccaneer Product...](#)

// Product 3D CAD Model Links

[PXV0777/6POLE3D CAD Model](#)