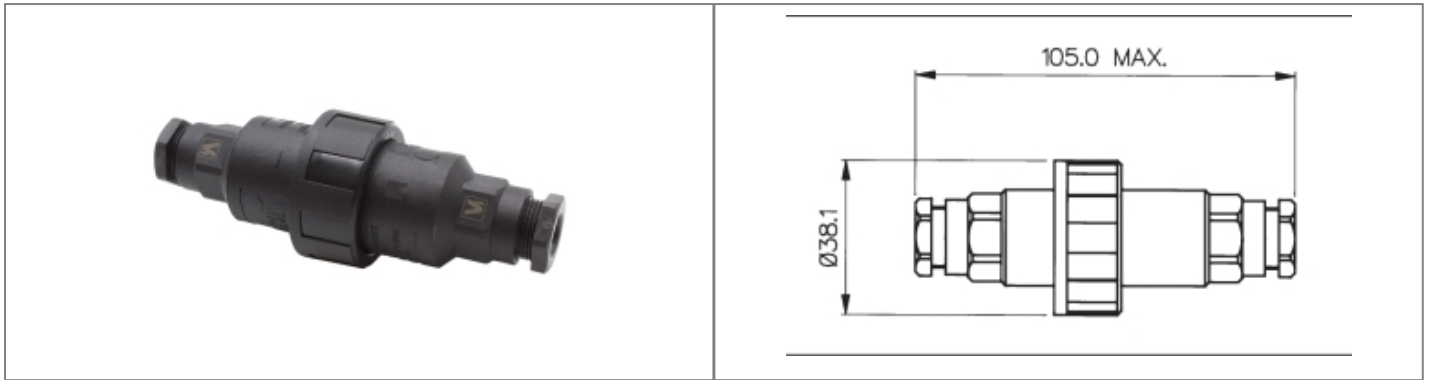


**Product Name // Vitalis Buccaneer Inline Sealed Cable
Joiner Range (8 Way Terminal Block)**
 [View Product Page](#)

// Product Description:

- ⬡ PXV0777/8POLE/05 provides a PCF reduction of 8.2 kg CO₂e per 100 units compared to the equivalent Standard Series Buccaneer part number
- ⬡ Sealed Cable Joiner
- ⬡ Water and dustproof to IP68 when mated
- ⬡ Supplied with 8-way terminal block
- ⬡ 5mm-7mm diameter cable acceptance
- ⬡ Cable Glands for differing cable diameters available separately individually or in packs
- ⬡ Cable Support accessory 12237/R available separately

// General Information:

Product Display Title: Product Family: Product Series: Body Colour: Body Material: Body Material Type: Contact Type: Coupling Type: Current Max: Diameter Over Coupling Ring Mm: Flamability Rating: Function: Ip Rating: Max Cable Entry Size: Min Cable Entry Size: Max Operating Temperature: Min Operating Temperature: Number Of Contacts: Rohs Compliant: Voltage Max:	Vitalis Buccaneer In-Line Sealed Cable Joiner Range (8 Way Terminal Block) Circular Power Connector Standard Vitalis Buccaneer Black Polyamide (PA)- Glass Filled Plastic Body Terminal Block Screw 10A 38.1mm UL94V-0 Flex to Inline Sealed Cable Joiner IP68, IP69K 7mm 5mm +70°C -20°C 8 Contacts Yes 250V
---	--

// Product PDF Links
 [Standard Vitalis Buccaneer Product...](#)
// Product 3D CAD Model Links
 [PXV0777/8POLE/053D CAD Model](#)