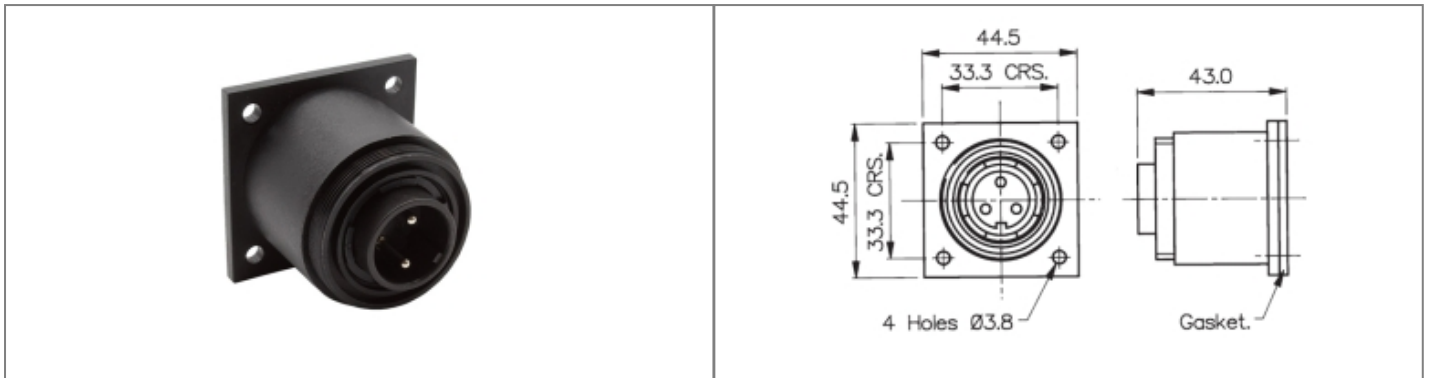


PXV0798/P Datasheet

Product Name // Vitalis Buccaneer Bulkhead Flange Mount Range (12 Contact)

[View Product Page](#)


// Product Description:

- ⬢ PXV0798/P provides a PCF reduction of 5.2 kg CO₂e per 100 units compared to the equivalent Standard Series Buccaneer part number
- ⬢ Bulkhead Flange Mount Connector
- ⬢ Water and dustproof to IP68 when mated with compatible connectors
- ⬢ Plug contacts
- ⬢ 12 pole
- ⬢ Crimp/Solder contacts, available separately
- ⬢ PXV0733 Sealing Cap available separately to maintain IP rating of unmated connectors
- ⬢ Mate with Standard Vitalis Series (PXV) and Standard Series (PX) Buccaneer Flex Cable Connectors

// General Information:

Product Display Title:	Vitalis Buccaneer Bulkhead Flange Mount Range (12 Contact)
Product Family:	Circular Power Connector
Product Series:	Standard Vitalis Buccaneer
Approvals:	UL, VDE
Body Colour:	Black
Body Material:	Polyamide (PA)- Glass Filled
Body Material Type:	Plastic Body
Contact Type:	Plug Contact
Coupling Type:	Screw
Current Max:	5A
Diameter Over Coupling Ring Mm:	38.1mm
Flamability Rating:	UL94HB
Function:	Bulkhead Flange Mount Connector
Insert Colour:	Black Insert
Ip Rating:	IP68, IP69K
Max Contact Accomodation Awg:	22AWG
Min Contact Accomodation Awg:	24AWG
Max Contact Accomodation Mm2:	0.34mm ²
Min Contact Accomodation Mm2:	0.25mm ²
Max Operating Temperature:	+70°C
Min Operating Temperature:	-20°C
Number Of Contacts:	12 Contacts
Rohs Compliant:	Yes
Voltage Max:	50V

// Product PDF Links

[Standard Vitalis Buccaneer Product...](#)

// Product 3D CAD Model Links

[PXV0798/P3D CAD Model](#)