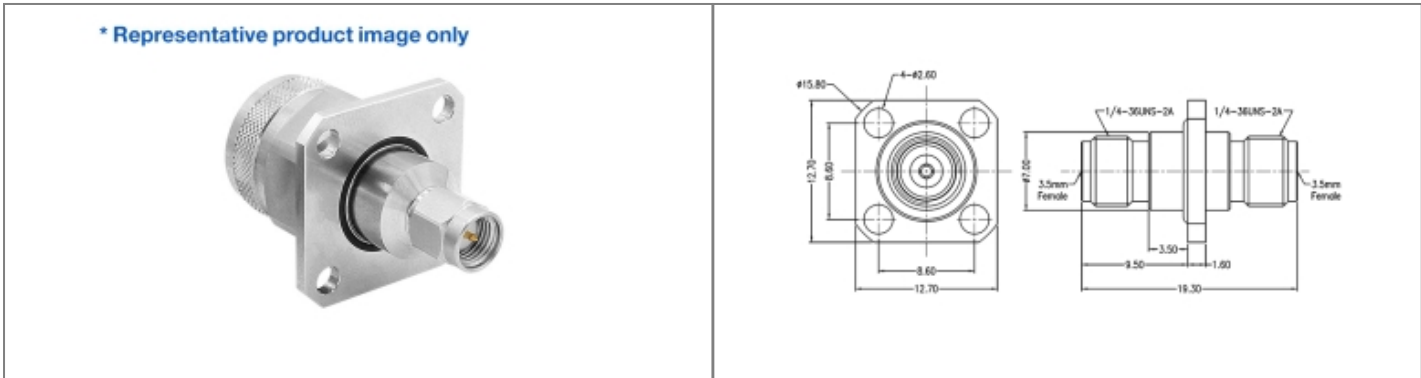


RFAA4SMAJNJA Datasheet

Product Name // SMA Jack to N Jack RF Adapter, 4 Hole Flange

[View Product Page](#)



// Product Description:	
<ul style="list-style-type: none"> SMA Jack to N Jack RF Adapter, 4 Hole Flange Maximum Voltage: 335V Temperature range: -40°C to +85°C Frequency range: 0GHz - 18GHz VSWR: <1.15 	<ul style="list-style-type: none"> Dielectric withstanding Voltage: >750V Impedance: 50Ohm Body Material: Stainless Steel Passivation Contact Material: Beryllium Copper

// General Information:	
Product Display Title:	RF Adapter Series Flange Mount
Product Family:	Radio Frequency Connectors
Product Series:	RF Adapter Series
Body Length:	35.70mm
Body Material:	Stainless Steel Passivation
Centre Contact Retention Force:	>26.7N
Contact Pin Material:	Beryllium Copper
Dielectric Withstanding Voltage:	>750V
Durability:	>500 cycles
Flange Mount Length:	25.40mm
Function:	Female to Female RF Flange Mount Adapter
Impedance:	50Ohm
Insulation Resistance:	>5000MOhm
Insulator:	Adapter ASTM D 1710
Max Operating Temperature:	+85°C
Min Operating Temperature:	-40°C
Mount Hole Distance:	18.30mm
Min Operating Frequency:	0GHz
Max Operating Frequency:	18GHz
Seal Position:	SMA Side
Thread Size:	1/4 36UNS 2A & 5/8 24UNEF 2A
Voltage Max:	335V
Vswr:	<1.15

// Product PDF Links

[RF Adapter Series Product...](#)

// Product 3D CAD Model Links

[RFAA4SMAJNJA3D CAD Model](#)