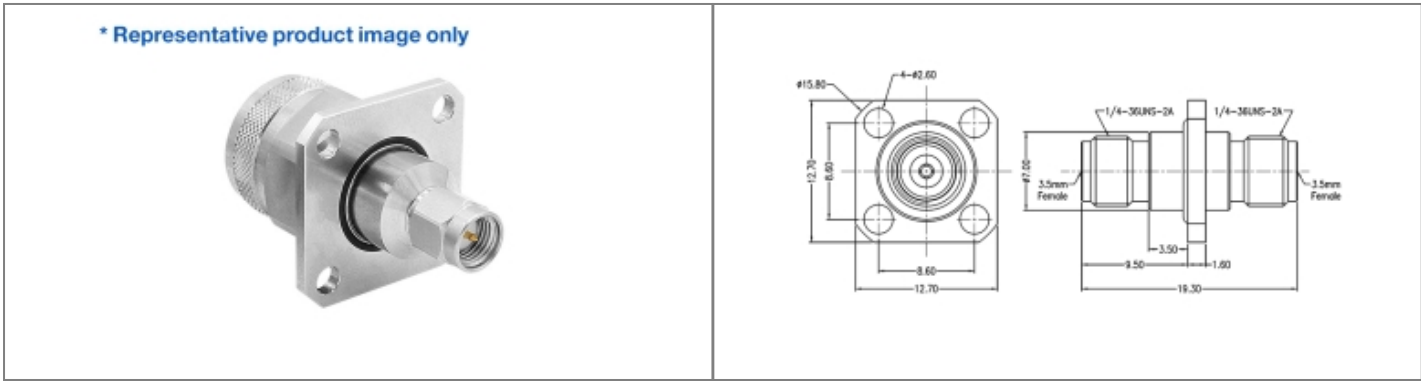


# RFAA4SMAJNJB Datasheet

## Product Name // SMA Jack to N Jack RF Adapter, 4 Hole Flange

[View Product Page](#)



| // Product Description:  |   |
|--|---|
| <ul style="list-style-type: none"> <li>SMA Jack to N Jack RF Adapter, 4 Hole Flange</li> <li>Maximum Voltage: 335V</li> <li>Temperature range: -65°C to +165°C</li> <li>Frequency range: 0GHz - 18GHz</li> <li>VSWR: &lt;1.15</li> </ul> | <ul style="list-style-type: none"> <li>Dielectric withstanding Voltage: &gt;750V</li> <li>Impedance: 50Ohm</li> <li>Body Material: Stainless Steel Passivation</li> <li>Contact Material: Beryllium Copper</li> </ul> |

| // General Information:          |  |
|----------------------------------|--|
| Product Display Title:           | RF Adapter Series Flange Mount           |
| Product Family:                  | Radio Frequency Connectors               |
| Product Series:                  | RF Adapter Series                        |
| Body Length:                     | 35.70mm                                  |
| Body Material:                   | Stainless Steel Passivation              |
| Centre Contact Retention Force:  | >26.7N                                   |
| Contact Pin Material:            | Beryllium Copper                         |
| Dielectric Withstanding Voltage: | >750V                                    |
| Durability:                      | >500 cycles                              |
| Flange Mount Length:             | 25.40mm                                  |
| Function:                        | Female to Female RF Flange Mount Adapter |
| Impedance:                       | 50Ohm                                    |
| Insulation Resistance:           | >5000MOhm                                |
| Insulator:                       | Adapter ASTM D 1710                      |
| Max Operating Temperature:       | +165°C                                   |
| Min Operating Temperature:       | -65°C                                    |
| Mount Hole Distance:             | 18.30mm                                  |
| Min Operating Frequency:         | 0GHz                                     |
| Max Operating Frequency:         | 18GHz                                    |
| Seal Position:                   | N Side                                   |
| Thread Size:                     | 1/4 36UNS 2A & 5/8 24UNEF 2A             |
| Voltage Max:                     | 335V                                     |
| Vswr:                            | <1.15                                    |

// Product PDF Links

[RF Adapter Series Product...](#)

// Product 3D CAD Model Links

[RFAA4SMAJNJB3D CAD Model](#)