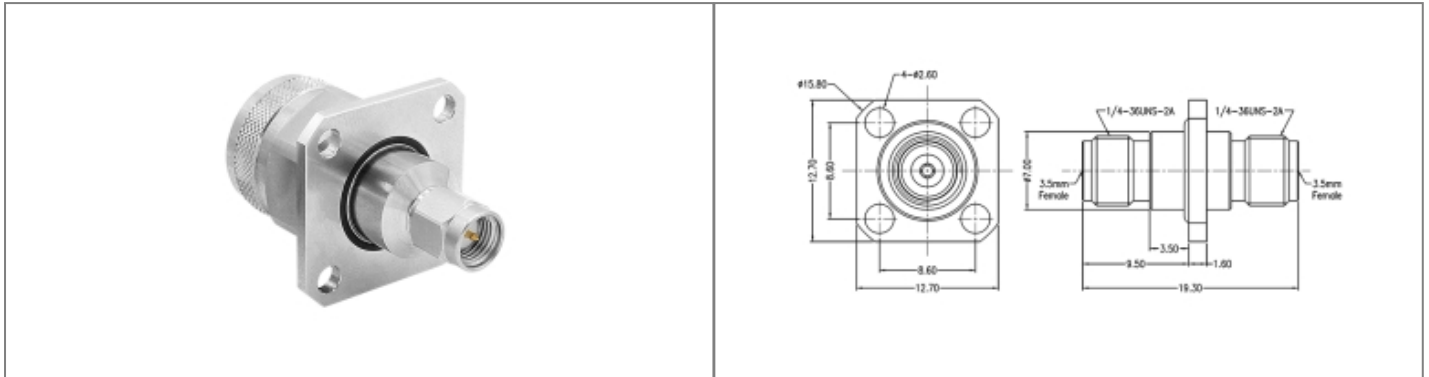


Product Name // SMA Plug to N Plug RF Adapter, 4 Hole Flange
 [View Product Page](#)

// Product Description:

- ⊕ SMA Plug to N Plug RF Adapter, 4 Hole Flange
- ⊕ Maximum Voltage: 335V
- ⊕ Temperature range: -40°C to +85°C
- ⊕ Frequency range: 0GHz - 18GHz
- ⊕ VSWR: <1.15
- ⊕ Dielectric withstanding Voltage: >750V
- ⊕ Impedance: 50Ohm
- ⊕ Body Material: Stainless Steel Passivation
- ⊕ Contact Material: Beryllium Copper

// General Information:

Product Display Title:	RF Adapter Series Flange Mount
Product Family:	Radio Frequency Connectors
Product Series:	RF Adapter Series
Body Length:	39.00mm
Body Material:	Stainless Steel Passivation
Centre Contact Retention Force:	>26.7N
Contact Pin Material:	Beryllium Copper
Dielectric Withstanding Voltage:	>750V
Durability:	>500 cycles
Flange Mount Length:	25.40mm
Function:	Male to Male RF Flange Mount Adapter
Impedance:	50Ohm
Insulation Resistance:	>5000MOhm
Insulator:	Adapter ASTM D 1710
Max Operating Temperature:	+85°C
Min Operating Temperature:	-40°C
Mount Hole Distance:	18.30mm
Min Operating Frequency:	0GHz
Max Operating Frequency:	18GHz
Voltage Max:	335V
Vswr:	<1.15

// Product PDF Links
 [RF Adapter Series Product...](#)
// Product 3D CAD Model Links
 [RFAA4SMAPNP3D CAD Model](#)