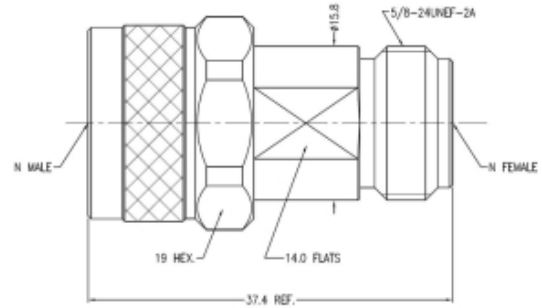


**Product Name // N Plug to N Plug RF Adapter**
 [View Product Page](#)

\* Representative product image only


**// Product Description:**

- ⊕ N Plug to N Plug RF Adapter
- ⊕ Maximum Voltage: 500V
- ⊕ Temperature range: -40°C to +85°C
- ⊕ Frequency range: 0GHz - 18GHz
- ⊕ VSWR: <1.15
- ⊕ Dielectric withstanding Voltage: >1500V
- ⊕ Impedance: 50Ohm
- ⊕ Body Material: Stainless Steel Passivation
- ⊕ Contact Material: Beryllium Copper

**// General Information:**

Product Display Title:	RF Adapter Series N Type Straight
Product Family:	Radio Frequency Connectors
Product Series:	RF Adapter Series
Body Length:	39.60mm
Body Material:	Stainless Steel Passivation
Centre Contact Retention Force:	>26.7N
Contact Pin Material:	Beryllium Copper
Dielectric Withstanding Voltage:	>1500V
Durability:	>500 cycles
Function:	Male to Male RF Adapter
Impedance:	50Ohm
Insulation Resistance:	>5000MOhm
Insulator:	UNFILLED ULTEM 1000/PEI
Max Operating Temperature:	+85°C
Min Operating Temperature:	-40°C
Min Operating Frequency:	0GHz
Max Operating Frequency:	18GHz
Voltage Max:	500V
Vswr:	<1.15

**// Product PDF Links**
 [RF Adapter Series Product...](#)
**// Product 3D CAD Model Links**
 [RFAANPNP3D CAD Model](#)

 Have a question or project enquiry  
 you'd like to talk to us about?

[Click Here To Contact Us](#)