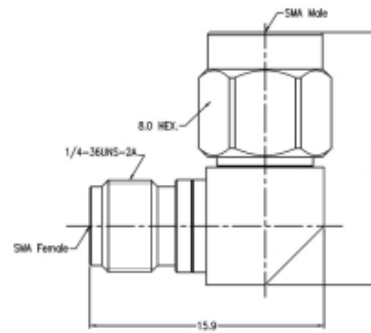


RFABSMAJSM AJ Datasheet

Product Name // SMA Jack to SMA Jack Right Angle RF Adapter

[View Product Page](#)

* Representative product image only



// Product Description:

- ⊗ SMA Jack to SMA Jack Right Angle RF Adapter
- ⊗ Maximum Voltage: 335V
- ⊗ Temperature range: -65°C to +165°C
- ⊗ Frequency range: 0GHz - 26.5GHz
- ⊗ VSWR: <1.25
- ⊗ Dielectric withstanding Voltage: >750V
- ⊗ Impedance: 50Ohm
- ⊗ Body Material: Stainless Steel Passivation
- ⊗ Contact Material: Beryllium Copper

// General Information:

Product Display Title:	RF Adapter Series Right Angle
Product Family:	Radio Frequency Connectors
Product Series:	RF Adapter Series
Body Length:	15.90mm & 15.20mm
Body Material:	Stainless Steel Passivation
Centre Contact Retention Force:	>26.7N
Contact Pin Material:	Beryllium Copper
Dielectric Withstanding Voltage:	>750V
Durability:	>500 cycles
Function:	Female to Female RF Right Angle Adapter
Impedance:	50Ohm
Insulation Resistance:	>5000MOhm
Insulator:	Adapter ASTM D 1710
Max Operating Temperature:	+165°C
Min Operating Temperature:	-65°C
Min Operating Frequency:	0GHz
Max Operating Frequency:	26.5GHz
Thread Size:	1/4 36UNS 2A
Voltage Max:	335V
Vswr:	<1.25

// Product PDF Links

[RF Adapter Series Product...](#)

// Product 3D CAD Model Links

[RFABSMAJSM AJ3D CAD Model](#)


Have a question or project enquiry
you'd like to talk to us about?



[Click Here To Contact Us](#)