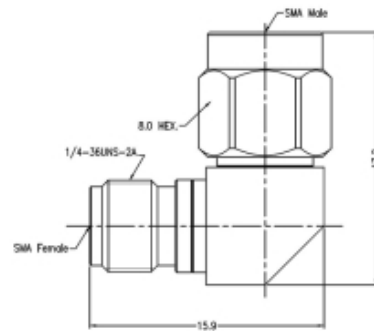


# RFABSMAJSMAP Datasheet

## Product Name // SMA Jack to SMA Plug Right Angle RF Adapter

[View Product Page](#)


### // Product Description:

- ⊕ SMA Jack to SMA Plug Right Angle RF Adapter
- ⊕ Maximum Voltage: 335V
- ⊕ Temperature range: -65°C to +165°C
- ⊕ Frequency range: 0GHz - 26.5GHz
- ⊕ VSWR: <1.25
- ⊕ Dielectric withstanding Voltage: >750V
- ⊕ Impedance: 50Ohm
- ⊕ Body Material: Stainless Steel Passivation
- ⊕ Contact Material: Beryllium Copper

### // General Information:

|                                  |                                       |
|----------------------------------|---------------------------------------|
| Product Display Title:           | RF Adapter Series Right Angle         |
| Product Family:                  | Radio Frequency Connectors            |
| Product Series:                  | RF Adapter Series                     |
| Body Length:                     | 15.90mm & 17.20mm                     |
| Body Material:                   | Stainless Steel Passivation           |
| Centre Contact Retention Force:  | >26.7N                                |
| Contact Pin Material:            | Beryllium Copper                      |
| Dielectric Withstanding Voltage: | >750V                                 |
| Durability:                      | >500 cycles                           |
| Function:                        | Male to Female RF Right Angle Adapter |
| Impedance:                       | 50Ohm                                 |
| Insulation Resistance:           | >5000MOhm                             |
| Insulator:                       | Adapter ASTM D 1710                   |
| Max Operating Temperature:       | +165°C                                |
| Min Operating Temperature:       | -65°C                                 |
| Min Operating Frequency:         | 0GHz                                  |
| Max Operating Frequency:         | 26.5GHz                               |
| Thread Size:                     | 1/4 36UNS 2A                          |
| Voltage Max:                     | 335V                                  |
| Vswr:                            | <1.25                                 |

#### // Product PDF Links

[RF Adapter Series Product...](#)

#### // Product 3D CAD Model Links

[RFABSMAJSMAP3D CAD Model](#)


Have a question or project enquiry  
you'd like to talk to us about?



[Click Here To Contact Us](#)