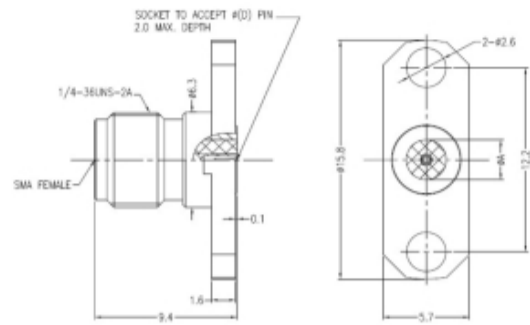


Product Name // SMA Straight Plug 2 Hole Flange RF Connector
[View Product Page](#)

* Representative product image only


// Product Description:

- ⊕ SMA Straight Plug 2 Hole Flange RF Connector
- ⊕ Maximum Voltage: 335V
- ⊕ Temperature range: -65°C to +165°C
- ⊕ Frequency range: 0GHz - 26.5GHz
- ⊕ VSWR: <1.30
- ⊕ Dielectric withstanding Voltage: >750V
- ⊕ Impedance: 50Ohm
- ⊕ Body Material: Stainless Steel Passivation
- ⊕ Contact Material: Beryllium Copper

// General Information:

| | |
|----------------------------------|---------------------------------|
| Product Display Title: | SMA Series Socket 2 Hole Flange |
| Product Family: | Radio Frequency Connectors |
| Product Series: | SMA Series |
| Body Length: | 12.80mm |
| Body Material: | Stainless Steel Passivation |
| Centre Contact Retention Force: | >26.7N |
| Contact Pin Material: | Beryllium Copper |
| Min Coupling Torque: | 0.80Nm |
| Max Coupling Torque: | 1.10Nm |
| Coupling Nut Retention Force: | >27.2Kg |
| Dielectric Withstanding Voltage: | >750V |
| Durability: | >500 cycles |
| Flange Mount Length: | 12.70mm |
| Function: | Male Flange Mount RF Connector |
| Impedance: | 50Ohm |
| Insulation Resistance: | >5000MOhm |
| Insulator: | Adapter ASTM D 1710 |
| Max Operating Temperature: | +165°C |
| Min Operating Temperature: | -65°C |
| Mount Hole Distance: | 8.90mm |
| Min Operating Frequency: | 0GHz |
| Max Operating Frequency: | 26.5GHz |
| Socket Diameter: | 0.46mm |
| Socket Outer Diameter: | 2.59mm |
| Voltage Max: | 335V |
| Vswr: | <1.30 |

// Product PDF Links
[SMA Series Product Datasheet](#)
// Product 3D CAD Model Links
[RFSMAA2PCED3D CAD Model](#)