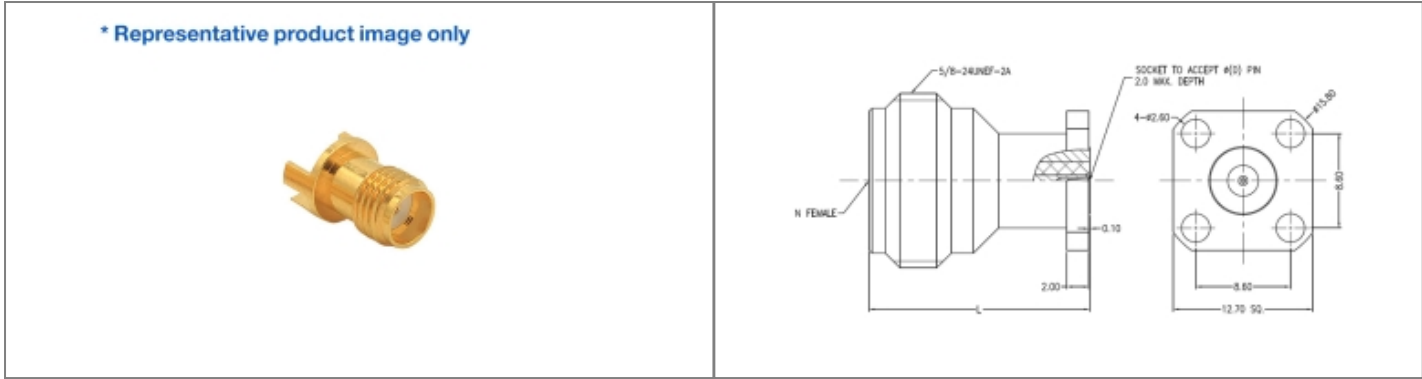


RFSMACJABA Datasheet

Product Name // SMA Jack Edge Launch RF Connector, PCB Thickness

[View Product Page](#)



// Product Description:

<ul style="list-style-type: none"> ⊗ SMA Jack Edge Launch RF Connector, PCB Thickness ⊗ Maximum Voltage: 335V ⊗ Temperature range: -55°C to +155°C ⊗ Frequency range: 0GHz - 26.5GHz ⊗ VSWR: <1.30 	<ul style="list-style-type: none"> ⊗ Dielectric withstanding Voltage: >750V ⊗ Impedance: 50Ohm ⊗ Body Material: Brass Copper with gold 10u" plating ⊗ Contact Material: Beryllium Copper
--	---

// General Information:

Product Display Title:	SMA Series Edge Launch Connector
Product Family:	Radio Frequency Connectors
Product Series:	SMA Series
Body Length:	11.70mm
Body Material:	Brass Copper with gold 10u" plating
Centre Contact Retention Force:	>20N
Contact Pin Material:	Beryllium Copper
Min Coupling Torque:	0.80Nm
Max Coupling Torque:	1.10Nm
Dielectric Withstanding Voltage:	>750V
Durability:	>500 cycles
Function:	Female Edge Launch RF Connector
Impedance:	50Ohm
Insulation Resistance:	>5000MOhm
Insulator:	ULTEM 1000
Max Operating Temperature:	+155°C
Min Operating Temperature:	-55°C
Min Operating Frequency:	0GHz
Max Operating Frequency:	26.5GHz
Pcb Thickness:	0.61mm
Pin Diameter:	0.30mm
Pin Length:	1.22mm
Thread Size:	1/4 36UNS 2A
Voltage Max:	335V
Vswr:	<1.30

// Product PDF Links

[SMA Series Product Datasheet](#)

// Product 3D CAD Model Links

[RFSMACJABA3D CAD Model](#)

Have a question or project enquiry you'd like to talk to us about?

[Click Here To Contact Us](#)